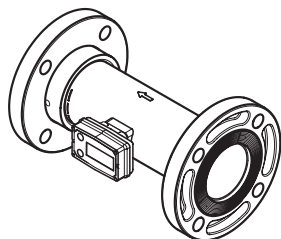


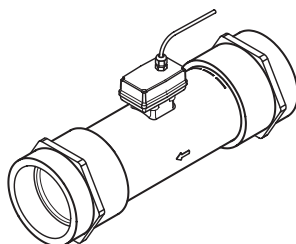


# Series TTMP Electronic Totalizing Meter

## User Manual



TTMP Meter with Computer Display



TTMP Meter with Digital Pulse Out

### IMPORTANT NOTICE

Use TTMP Series meter with water and other chemicals compatible with wetted components (see Specifications Section). Do not use to meter fuel or incompatible chemicals. TTMP Series meter is available with either a computer for local electronic display, or a conditioned signal output module to provide a digital signal to customer interfacing equipment. TTMP Series meters with computer display measure in gallons or liters. Refer to the Calibration Section for details.

These meters are not legal for trade applications.

TTMP Series meter is very sensitive to electric noise if operated within 1 to 2 inches of some electric motors or other sources of electronic noise.

### INSTALLATION

#### Connections

Install your meter in-line either horizontally or vertically or at the end of the hose adjacent to the nozzle. Installation to metal connections is not recommended. Install as follows:

1. Plan to install turbine with a minimum straight pipe length as follows:
  - Upstream from the turbine, allow a minimum straight pipe length of 10 times the internal diameter of the turbine.
  - Downstream from the turbine, allow a minimum straight pipe length of 5 times the internal diameter of the turbine.
2. For Spigot (Pipe) End use only primer and solvents approved for PVC gluing.

Cut to Length The meter housing can be shortened by the customer. Each meter has a "dotted" line feature molded on the top surface of the housing tube. The housing can be cut up to this line without harming any internals.

**DWYER INSTRUMENTS, INC.**  
P.O. BOX 373 • MICHIGAN CITY, INDIANA 46361, U.S.A.

Phone: 219/879-8000

Fax: 219/872-9057

www.dwyer-inst.com

e-mail: info@dwyer-inst.com

Most glue on fittings will fit without interfering with the computer display area. However, the customer should check all parts before attempting cut.

For NPT Fittings wrap all connections with 3 to 4 wraps of thread tape. Make sure the tape does not intrude into the flow path.

3. Attach meter with arrow pointed in the direction of fluid flow.
4. For NPT Fittings - Hand tighten the meter at the housing ends. Do not use a wrench or similar tool to tighten. This can damage the housing.
5. For ANSI Flange Fittings - Customer to provide:
  - Ring Gaskets or Full-Face Gaskets approved for use with type flange installed (ANSI) and the fluid being monitored (2 required).
  - 5/8" bolts and nuts for ANSI flanges. Four per side for 3-inch meters; eight per side for 4-inch meters.
  - Torque bolts using a star pattern to 25 ft-lbs. Supplied flanges are two-piece Van Stone style and allow the meter to be oriented regardless of the mating flanges position.

**⚠ WARNING**

Compatibility of this product's material and the process fluid and/or environment should be considered prior to putting into service.

**⚠ WARNING**

Product should never be operated outside its published specifications for temperature or pressure. See specifications for your model.

**⚠ WARNING**

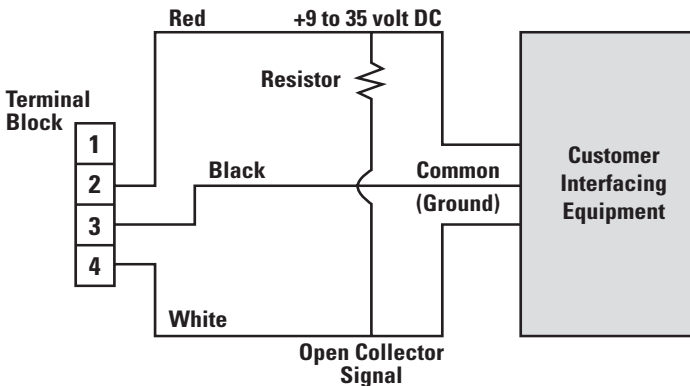
Make sure flow and pressure have been eliminated from process pipe prior to installing or removing product.

**⚠ WARNING**

Always use appropriate thread sealant or flange gaskets when connecting product to process piping.

**Wiring Diagram 1**

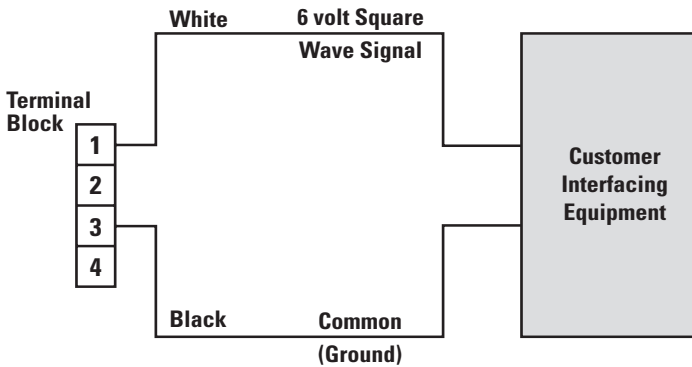
**OPEN COLLECTOR SIGNAL OUTPUT**



- The terminal block is identified as follows:**
- Pin #1** 6 volt square wave (not used)
  - Pin #2** +9 to 35 volt DC Input
  - Pin #3** Common Ground
  - Pin #4** Open Collector signal Output

## Wiring Diagram 2

### SQUARE WAVE OUTPUT



The terminal block is identified as follows:

- Pin #1 6 volt square wave
- Pin #2 +9 to 35 volt DC Input (not used)
- Pin #3 Common Ground
- Pin #4 Open Collector signal Output (not used)

### CAUTION

To protect against leakage, seal all pipe threads with an appropriate sealing compound. Make sure the sealing compound does not intrude into the flow path.

For best results, always verify accuracy before use.

NOTE: If connecting to new male pipe threads, burrs and curls can adversely affect accuracy. Correct the problem prior to turbine installation.

NOTE: Do not over tighten the flange bolts. This may cause the gasket to be compressed into the flow stream and may decrease the accuracy of the meter.

### CAUTION

Installation near high electromagnetic fields and high current fields is not recommended and may result in inaccurate readings.

## Conditioned Signal Output Module Wiring

This conditioned signal output module can be wired to provide an open collector signal output or 6-volt square wave output.

### Open Collector Signal Output

To achieve an open collector signal output, reference Wiring Diagram 1. The terminal block is located on the back side of the module. The module is factory assembled for open collector signal output. Please provide the (820 ohm minimum) resistor.

Ten feet (3 m) of cable is provided with the module. Trim it to desired length or extend it as necessary. Distances up to 5,000 feet (1,524 m) can be achieved for open collector signal output.

### Square Wave Output

To achieve square wave output, reference Wiring Diagram 2 and use an Electronic Digital Meter Battery Kit (sold separately) for battery power. The terminal block and battery location are located on the back side of the module. Access as follows:

1. Remove the four Phillips-head screws from the front of the module and lift the module from the turbine.
2. To change terminal block connections, loosen the appropriate screws. Reconnect the wires in the proper positions and tighten the screws.
3. Install the batteries. Make sure the positive post is in the correct position.
4. Position the module on the turbine housing. To avoid moisture damage, make sure the seal is fully seated. Tighten the four screws on the front of the module.

Ten feet (3 m) of cable is provided with the module. Trim the cable to desired length or extend it as necessary.

### Verify Meter Accuracy

Before using, check the meter's accuracy and verify calibration.

1. Make sure there is no air in the system by starting the flow until it runs steadily. Then, stop or divert the flow using a valve or nozzle.
2. Meter an exact known volume into an accurate container. For best results, meter with one continuous full stream.
3. Check the volume against the display or recording equipment. If the amount metered is accurate, further calibration is not necessary. If not, refer to the Calibration Section for further instructions.

## OPERATION

### Computer Display – Batch and Cumulative Totals

The computer maintains two totals. The Cumulative Total provides continuous measurement and cannot be manually reset. The Batch Total can be reset to measure flow during a single use. The Cumulative Total is labeled with TOTAL 1, Batch Total is labeled TOTAL 2 BATCH.

When the Cumulative Total reaches a display reading of 999,999 the computer will highlight an X10 icon. This indicates to the operator that a zero must be added to the 6 digits shown. When the next rollover occurs, the computer will highlight an X100 icon. This indicates to the operator that two zeroes must be added to the 6 digits shown.

Press the DISPLAY button briefly to switch between the TOTAL 1, TOTAL 2 BATCH and FLOWRATE. Press DISPLAY briefly to display the TOTAL 2 BATCH. Hold the DISPLAY button for 3 seconds to reset the Batch Total to zero.

When fluid is flowing through the meter, a small propeller icon is highlighted.

NOTE: Totalization counts total units without differentiating between gallons, liters or field calibrated units.

### Flowrate Feature

To use this feature, press and release DISPLAY until FLOWRATE icon appears. The factory set time base will be highlighted to the right of FLOWRATE (M = minutes, H = hours, D = days). When FLOWRATE is invoked, the display will be indicating rate of flow.

### Activate the Meter

Computer is on continuously and always ready to perform. The computer is powered by field replaceable batteries. When display becomes dim, faded or the low battery message appears (see below), the batteries need to be replaced. Reference the Maintenance Section for details.



### Factory and Field Calibration

All calibration information is visible to the user as icons on the top line of the display, above the numeric digits.

All units are configured with a "factory" calibration. Both gallons and liters are available ("GL" or "LT" will be displayed). While holding the CALIBRATE button, briefly press DISPLAY to toggle between gallons and liters. This factory calibration (indicated with FAC) is permanently programmed into the computer and is not user adjustable.

NOTE: Your computer may have other units of measure programmed into it. If so, holding the CALIBRATE button and momentarily pressing the DISPLAY button will toggle through all factory set units. Other possible units are: IGL (imperial gallon), QT (quart), CF (cubic feet), CM (cubic meter), BL (42 gal. barrel), CC (cubic centimeter) or OZ (ounce).

Switching between different units will not corrupt the Total's contents. For example, in GL mode, the computer totalizes 10.00 gallons, if the user switches to LT mode, the display will read 37.85 liters (the same volume, different unit).

The "field" calibration may be set by the user, and can be changed or modified at any time using the calibration procedure described below in the Calibration Section. Totals or flowrate derived from the field calibration are invoked when the FAC icon is no longer visible on the top line of the display.

## CALIBRATION

### Verify Accuracy Before Beginning Field Calibration

For the most accurate results, dispense at a flowrate which best simulates your actual operating conditions. Avoid "dribbling" more fluid or repeatedly starting and stopping the flow. This can result in less accurate calibrations.

Make sure you meet the meter's minimum flowrate requirements:

#### Series TTMP Meter

3 inch meter	30 GPM (113.6 LPM)
4 inch meter	40 GPM (151.4 LPM)

The use of a uniformly dependable, accurate calibration container is recommended for the most accurate results. Due to high flowrate, it is strongly recommended that calibration be completed with a combination of volume and weight using fine resolution scales.

For best results, the meter should be installed and purged of air before field calibration.

### Field Calibration with Computer Display

Field Calibration and Factory Calibration are defined in the Operation Section. Factory calibration settings are programmed into each computer during manufacturing, using water at 70° F (21° C). Readings using the Factory Calibration (FAC) may not be accurate in some situations, for example, under extreme temperature conditions, non-standard plumbing configurations or with fluids other than water.

### Field Calibration Procedures (Correction Factor Method)

1. To calibrate, press and hold the CALIBRATE and DISPLAY buttons for about 3 seconds until you see FldCAL. Release both buttons and you will see CF - 00.0. You are now in the field calibration mode and values from -99.9% to +99.9% can be entered.
2. The +/- position appears either as an "underscore" character for plus, or as a "hyphen" character for minus. The DISPLAY button selects the position and the CALIBRATE button toggles this character.
3. The DISPLAY button can then be pushed to select the numeric positions. Press the CALIBRATE button to scroll from 0 to 9. Enter the percentage of change you want the display to correct. When satisfied with the value, press both CALIBRATE and DISPLAY buttons simultaneously. CALEnd will be displayed and unit will go back to normal operation, less the FAC (factory calibration) icon.
4. All enabled units-of-measure remain visible and selectable – the entered correction will be applied to all enabled units.
5. To return to factory calibration (FAC), press and hold both CALIBRATE and DISPLAY buttons for about 3 seconds until FacCAL is displayed. Then release buttons. Unit should return to normal operation and FAC icon is visible.

### Calibration with Conditioned Signal Output Module

The K-factor of your meter appears on the calibration report as the number of pulses per gallon. The factor is determined during production using water at 70° F (21° C). This K-factor may be used for "single point" calibration and provide acceptable accuracy. However, readings may not be accurate when using this calibration method in some situations. For example, extreme temperature conditions, non-standard plumbing configurations or with fluids other than water.

## MAINTENANCE

Proper handling and care will extend the life and service of the meter.

### Turbine Rotor

The meter is virtually maintenance-free. However, it is important the rotor moves freely. Keep the meter clean and free of contaminants.

The rotor can be removed for cleaning and inspection. Begin by unscrewing the nose cone from the outlet end of the meter. A 1/4" square socket extension can be used. Remove the lock and flat thrust washers. Rotor can then be removed from shaft. Note orientation because rotor is not bi-directional. Remove debris or deposits using soft brush or small probe. Reassemble in reverse order.

#### ⚠ CAUTION

Blowing compressed air through the turbine assembly could damage the rotor.

#### ⚠ CAUTION

Do not allow liquids to dry inside the turbine.

#### ⚠ CAUTION

Handle the rotor carefully. Small scratches or nicks can affect accuracy.

NOTE: Make sure the arrow on the turbine outlet is pointed in the direction of fluid flow.

### Battery Replacement

The computer display is powered by two 3-volt lithium batteries which may be replaced while the meter is installed. When batteries are removed or lose power, the batch and cumulative totals and the field and factory calibrations are retained.

#### ⚠ WARNING

(Battery) – Avoid mechanical or electrical abuse. Batteries may explode or cause burns, if disassembled, crushed or exposed to fire or temperatures in excess of 212°F (100°C). Do not short circuit or install with incorrect polarity. DO NOT INCINERATE.

#### ⚠ CAUTION

Batteries should **ONLY** be replaced with batteries of the same type and rating. Do not mix old with new. Do not mix manufacturers or technologies.

Open battery cells should be disposed of in accordance with local regulations. Lithium batteries are best disposed of as a non-hazardous waste when fully or mostly discharged. EPA does not list or exempt Lithium as a hazardous waste. If waste lithium batteries are still fully charged or only partially discharged, they can be considered a reactive hazardous waste because of unconsumed lithium remaining in the battery. Such batteries may qualify as "Universal Waste" in many jurisdictions within the U.S. and thus can be shipped for disposal or recycling in accordance with Universal Waste requirements.

If the display becomes dim, blank or the low battery message appears (see below), replace the batteries as follows:

## LobAtt

1. Remove the four Phillips-head screws from the face of the meter and lift the faceplate from the turbine.
2. Remove the old batteries and clean any corrosion from the terminals.
3. Install new batteries. Make sure the positive post is in the correct position.
4. When the batteries are replaced, the faceplate will power ON. Check the display to ensure normal functions have resumed before assembling again.
5. Reseat batteries, if necessary, and position the faceplate on the turbine housing. To avoid moisture damage, make sure the seal is fully seated. Tighten the four screws on the faceplate.

# SPECIFICATIONS

## Inlet and Outlet:

### Spigot (Pipe) End Models:

TTMP-6S	3 inch Schd. 80, Spigot (Pipe)
TTMP-7S	4 inch Schd. 80, Spigot (Pipe)

### NPT Models:

TTMP-6N	3 inch NPT
TTMP-7N	4 inch NPT

### ANSI Flange Models:

TTMP-6F	3 inch 150# ANSI Flange
TTMP-7F	4 inch 150# ANSI Flange

**Design Type:** Turbine

## Wetted Components:

Housing: PVC  
Journal Bearings: PEEK®\* based  
proprietary formulation  
Shaft: Stainless Steel  
Rotor and Nose Cone: Acetal  
Washers: Stainless Steel

## Max. Working Pressure:

TM300 (All Models): 225 PSIG @ 73° F  
TM400 (All Models): 225 PSIG @ 73° F  
(Non CE), 135 PSIG @ 73° F  
(CE applications)

## U.S. Measurement

**Unit of Measure:** Gallon

## Flow Range:

3 inch:	40-400 GPM (Linearity: ±3.0% of Reading)
	30-600 GPM (Accuracy: ±2.0% Full Scale)
4 inch:	60-600 GPM (Linearity: ±3.0% of Reading)
	40-800 GPM (Accuracy ±2.0% Full Scale)

## Accuracy with Computer:

± 3.0% of reading (Accuracy can be improved with field calibration)

**Operating Temperature:** +32° to +140° F

(Do not allow fluid to freeze inside meter.)

**Battery Life:** 5 years

**Storage Temperature:** -40° to +158° F

**Product Weight - lbs.:\***

	Spigot (Pipe)	NPT	ANSI Flange
3 inch:	2.4	3.9	5.8
4 inch:	3.7	6.1	9.2

**Dimensions - Inches (L x H x W):\*\***

<u>Spigot (Pipe):</u>	3 inch: 11.5 x 5.34 x 3.5 4 inch: 13.5 x 6.34 x 4.5
<u>NPT:</u>	3 inch: 14.7 x 5.78 x 4.37 4 inch: 17.0 x 6.7 x 5.87

### ANSI Flange:

3 inch:	12.0 x 7.5 x 7.5
4 inch:	14.0 x 9.0 x 9.0

\* Add .3 lbs. for Conditioned Signal Module.

\*\* Add 1.1 inches to height for Conditioned Signal module.

## Metric Measurement

**Unit of Measure:** Liter

## Flow Range:

3 inch:	151-1514 LPM (Linearity: ±3.0% of Reading)
	113-2271 LPM (Accuracy: ±2.0% Full Scale)
4 inch:	227-2271 LPM (Linearity: ±3.0% of Reading)
	151-3028 LPM (Accuracy ±2.0% Full Scale)

## Accuracy with Computer:

± 3.0% of reading (Accuracy can be improved with field calibration)

**Operating Temperature:** 0° to +60° C

(Do not allow fluid to freeze inside meter.)

**Battery Life:** 5 years

**Storage Temperature:** -40° to +70° C

**Product Weight - kgs:\***

	Spigot (Pipe)	NPT	ANSI Flange
3 inch:	1.09	1.77	2.63

\* PEEK® is a registered trademark of Victrex

4 inch: 1.68 2.77 4.17

### Dimensions - cm (L x H x W):\*\*

Spigot (Pipe): 3 inch: 29.2 x 13.6 x 8.9  
4 inch: 34.3 x 16.1 x 11.4

NPT: 3 inch: 37.3 x 14.7 x 11.1  
4 inch: 43.2 x 17.0 x 14.9

ANSI Flange:  
3 inch: 30.5 x 20.3 x 20.3  
4 inch: 35.6 x 22.9 x 22.9

\* Add .14 kg to weight for Conditioned Signal Module.

\*\* Add 2.8 cm to height for Conditioned Signal module.

## PARTS

For replacement parts and accessories contact Dwyer Instruments, Inc.

## SERVICE

For warranty consideration, contact Dwyer Instruments, Inc.

You will need to:

- Provide information from the decal on your meter.
- Receive a Return Authorization number.
- Flush any fluid from the meter before shipping to the factory.

If possible leave customer installed fittings or ample length of bare pipe for reinstallation.

## Maintenance / Repair

Upon final installation of the Series TTMP Electronic Water Meter, no routine maintenance is required. The Series TTMP is not field serviceable. Field repair should not be attempted and may void the warranty.

## Warranty / Return

Refer to "Terms and Conditions of Sale" in our catalog and on our website. Contact customer service to receive a Return Goods Authorization number before shipping the product back for repair. Be sure to include a brief description of the problem plus any additional application notes.

## CAUTION

Do not return the meter without specific authority from Dwyer Instruments, Inc. Due to strict regulations governing transportation, handling, and disposal of hazardous or flammable liquids, Dwyer will not accept meters for rework unless they are completely free of liquid residue.

## WEEE DIRECTIVE



The Waste Electrical and Electronic Equipment (WEEE) directive (2002/96/EC) was approved by the European Parliament and the Council of the European Union in 2003. This symbol

indicates that this product contains electrical and electronic equipment that may include batteries, printed circuit boards, liquid crystal displays or other components that may be subject to local disposal regulations at your location. Please understand those regulations and dispose of this product in a responsible manner.

## RoHS Compliant (2011/65/EU)

This product is in compliance with the RoHS Directive of the European Parliament and of the Council on the Restriction of the Use of Certain Hazardous Substances in Electrical and Electronic Equipment.

## Environmental Rating: IP65

**DWYER INSTRUMENTS, INC.**  
P.O. BOX 373 • MICHIGAN CITY, INDIANA 46361, U.S.A.

Phone: 219/879-8000

Fax: 219/872-9057

www.dwyer-inst.com

e-mail: info@dwyer-inst.com