

# EXPLOSION-PROOF RTD TEMPERATURE TRANSMITTER

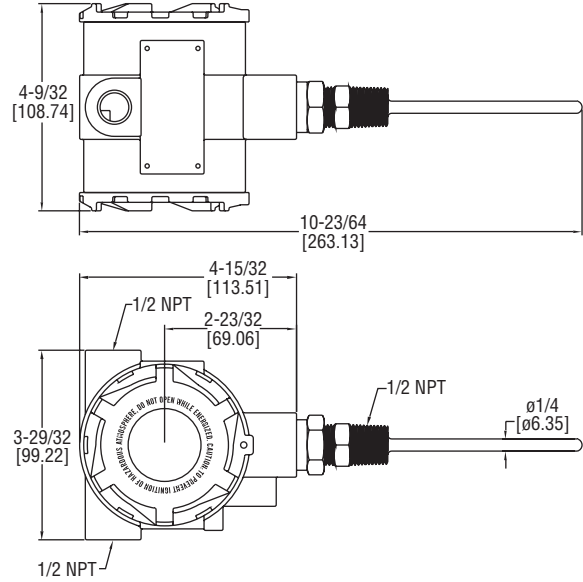
User Selectable Ranges, Optional LCD Display



\*Shown with optional LCD display



Scan here to watch product video



The **SERIES TTE** Explosion-Proof RTD Temperature Transmitter is the ideal product for hazardous temperature measurement applications. The TTE series has seven pre-programmed temperature ranges that are selectable via an internal dip switch.

### FEATURES/BENEFITS

- FM approved for Class I, Groups B, C, D; Class II, Groups E, F, G classified explosive environments
- Optional LCD
- Output span selected from seven common ranges or user determined

### APPLICATIONS

- Explosive process environments
- Offshore HVAC monitoring

### SPECIFICATIONS

**Temperature Sensor:** Pt1000, 0.00385 DIN.  
**Output Temperature Ranges:** User selectable – any range between -30 to 250°F with a minimum span of 40°F.  
**Temperature Limits:** Ambient: 0 to 158°F (-18 to 70°C); Process: -30 to 250°F (-34.4 to 121.1°C).  
**Accuracy:** Transmitter ±0.1% FS; Probe ±0.3% FS.  
**Thermal Drift Effects:** ±0.02%/°C max.  
**Response Time:** 250 ms.  
**Wetted Materials:** 316 SS.  
**Process Connection:** 1/2" male NPT.  
**Conduit Connection:** 1/2" female NPT.  
**Probe Length:** 2" to 18" (depending on model).  
**Pressure Limits:** 2000 psi (137.9 bar).  
**Power Requirements:** 10 to 35 VDC.  
**Output Signal:** 4 to 20 mA (two wire loop powered).  
**Optional Display:** 2 lines X 8 character LCD.  
**Enclosure Rating:** NEMA 4X (IP66) and explosion-proof for Class I, Groups B, C, D; Class II, Groups E, F, G; Class III.  
**Weight:** 2 lb 8 oz (1134 g).  
**Agency Approvals:** CE, FM.

### MODEL CHART

Model	Stem Length	LCD Display
TTE-104-W	4"	No
TTE-106-W	6"	No
TTE-109-W	9"	No
TTE-112-W	12"	No
TTE-115-W	15"	No
TTE-118-W	18"	No
TTE-104-W-LCD	4"	Yes
TTE-106-W-LCD	6"	Yes
TTE-109-W-LCD	9"	Yes
TTE-112-W-LCD	12"	Yes
TTE-115-W-LCD	15"	Yes
TTE-118-W-LCD	18"	Yes

### FIELD-SELECTABLE RANGES

40 to 90°F (4.4 to 32.2°C)  
 -20 to 140°F (-28.9 to 60°C)  
 0 to 100°F (-17.8 to 37.8°C)  
 30 to 240°F (-1.1 to 115.6°C)  
 32 to 212°F (0 to 100°C)  
 32 to 122°F (0 to 50°C)  
 -30 to 65°C (-1.1 to 18.3°C)  
 Custom range between -30 to 250°F (-34.4 to 121.1°C)

### ACCESSORY

Model	Description
A-287	Mounting bracket for pipe or surface mounting (Includes bracket and two 2" U-bolts)