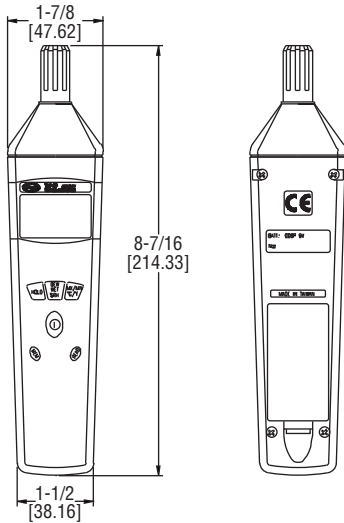




Model THI-10 Digital Thermohygrometer

Specifications - Installation and Operating Instructions



The Model THI-10 Digital Thermohygrometer accurately measures relative humidity and ambient temperature. Up to 99 readings can be stored in non-volatile memory allowing the HVAC technician to record the data after returning to the office. This compact thermohygrometer also features user selectable engineering units, Maximum/Minimum functions, dew point, and wet bulb temperature measurements. The Model THI-10 includes a soft carrying case with a belt loop for easy transportation.

OPERATING INSTRUCTIONS

Measurements

Press the "⏻" button to turn the meter on.

Press and hold the HOLD button to toggle the humidity and temperature displays.

Press the DEW/WET/%RH button to display the dew point. While displaying dew point, press the DEW/WET/%RH button again to display the wet bulb temperature.

Data Hold

Press the HOLD button to freeze the readings in both displays.

The "H" icon and the last readings will appear in the display.

The dew point and wet bulb temperature can be viewed while in Hold mode.

In order to return to normal operation, press the HOLD button and the "H" icon disappears from the display.

SPECIFICATIONS

Service: Humidity & temperature detection in air.

Range: Relative Humidity: 1 to 99% (non-condensing);
Temperature: -4 to 140°F (-20 to 60°C).

Accuracy: Relative Humidity: ±3%; Temperature: ±1.5°F (±0.8°C).

Display: Dual LCD Display (4 digit upper display / 3 digit lower display).

Temperature Limits: Ambient: 32 to 144°F (0 to 60°C).

Resolution: Relative Humidity: 0.1%; Temperature: 0.1°.

Power Requirements: 9V alkaline battery.

Battery Life: Approximately 200 hours.

Weight: 5.6 oz (160 g).

Agency Approvals: CE.

MEMORY

Storing data

Store measurement data by pressing the "MEM" button. The screen will briefly display an "M" and the memory address number.

Retrieving Data

Press the READ button to cycle through the stored data.

Press and hold the READ button to exit memory and return the meter to normal operation.

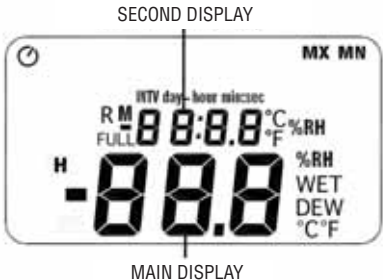
The meter's internal memory can store up to 99 readings. When this limit is reached, the screen will display "Full". The memory must be cleared before anymore readings can be stored.

Clearing the Memory

Turn the meter off.

Hold down the "MEM" button while powering on the meter.

"Clr" will appear on the screen when the stored data is erased.



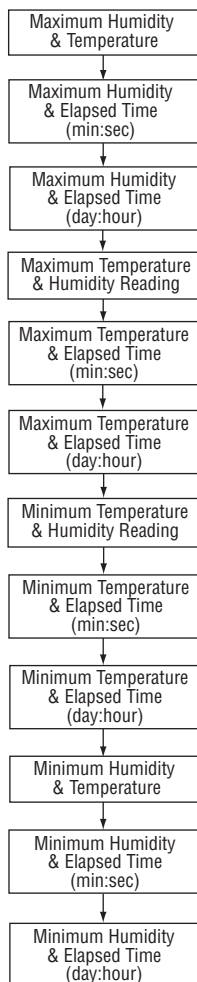
MAXIMUM / MINIMUM MODE

This mode allows the user to view current maximum and minimum readings.

Upon entering this mode, an elapsed timer meter is reset.

This allows the user to view temperature and humidity measurements with the elapsed timer meter displayed.

- Press the "MX/MN" button to enter this mode.
- Press the "MX/MN" button to cycle through maximum and minimum measurements below.



- Press the DEW/WET/%RH button to view the current maximum or minimum dew point and wet bulb temperature.
- Hold the MX/MN button for two seconds to exit MIN/MAX mode and return to normal operation (this also resets the MIN/MAX values).

AUTOMATIC POWER OFF (SLEEP MODE)

The meter will automatically power off after the factory default setting of 30 minutes.

- To adjust the automatically power off time setting, begin by turning the meter off.
- Hold the HOLD button while powering on the meter and release after the first beep.
- Press the HOLD button to cycle through the below settings.

- 001: To disable auto power off function
- 002: 1 minute auto power off
- 003: 3 minute auto power off
- 004: 5 minute auto power off
- 005: 10 minute auto power off
- 006: 15 minute auto power off
- 007: 30 minute auto power off
- 008: 59 minute auto power off

- Press the MX/MN button to select the desired setting.

NOTICE

The auto power off function is activated each time you turn on the meter and is automatically disabled when in MX/MN mode.

SETTING TEMPERATURE UNITS

The thermohygrometer can measure °F or °C.

- To change the units, turn on the unit by pressing the "⊕" button.
- Hold down the "°C/°F" for 5 seconds to toggle the two units of measurement.

BATTERY REPLACEMENT

The thermohygrometer incorporates visual low battery indication as follows.

"BT": battery power is not sufficient for accurate testing. When the low battery icon indicates the battery is low, the battery should be replaced immediately.

- The battery is located in the rear of the unit.
- Remove the cover and remove the battery.
- Insert one 9V battery.

NOTICE

It is important to allow the thermohygrometer to power off before replacing the batteries otherwise the unit may malfunction. Dispose of used batteries promptly and keep away from children.

MAINTENANCE

Upon final installation of the Model THI-10 Digital Thermohygrometer, no routine maintenance is required. A periodic check of system calibration is recommended. The Model THI-10 is not field serviceable and should be returned if repair is needed (field repair should not be attempted and may void warranty). Be sure to include a brief description of the problem plus any relevant application notes. Contact customer service to receive a return goods authorization number before shipping.