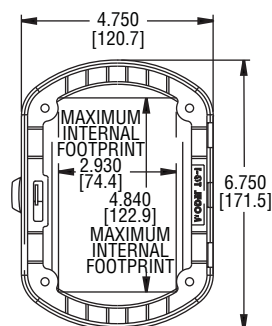
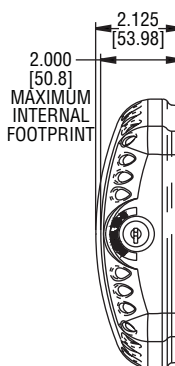
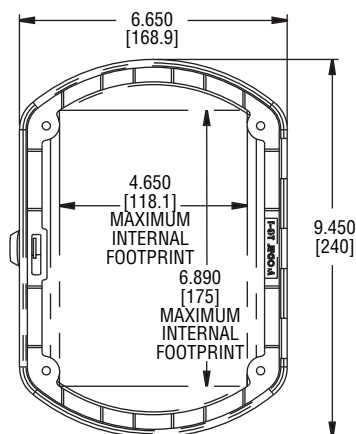
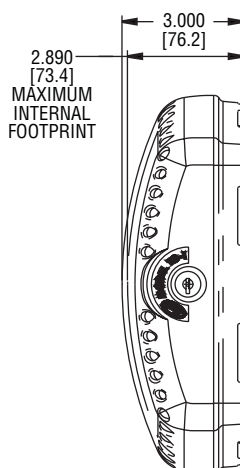




Series TG Polycarbonate Wall Mount Thermostat Covers

Specifications - Installation and Operating Instructions



The Series TG Polycarbonate Thermostat Cover prevents physical damage and unauthorized adjustments of thermostats. Two sizes of covers are available to fit most common thermostats and transmitters. The low profile design with ventilation slits allows exceptional air flow in order to obtain accurate measurements.

TOOLS LIST

Included:

- 1 Series TG Thermostat Cover
- 2 Keys
- 4 Concrete Screws
- 4 Drywall Screws
- 4 Plastic Anchors

Tools Required:

- Pencil
- Hammer
- #2 Phillips Screwdriver
- 5/16" (8 mm) nut driver (for concrete screws)
- Hand Drill
 - 9/32" (7.1 mm) drill bit (drywall screws)
 - 5/32" (4 mm) drill bit (concrete screws)

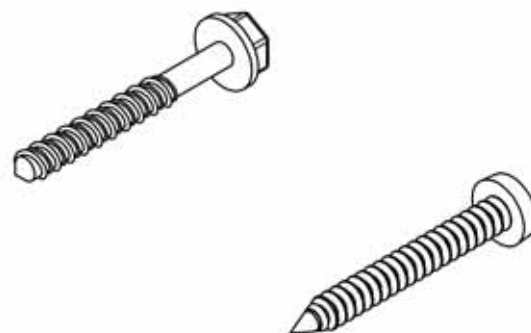


Fig. 1
Mounting Screws, Concrete screw on the left,
Drywall screw on the right.

MOUNTING

Note: The Series TG cover comes off the mounting base (it does not rotate on hinge).

Step 1: Removing the Cover

- A) Use the key to unlock the cover.
- B) Open the cover approximately 15 degrees.
- C) Slide the cover off the hinge.

Step 2: Mount the Base

- A) Place the cover over the device to be protected and mark the mounting holes using a pencil.
- B) Cover the device to be protected with a damp towel to prevent dust from getting into the device.
- C) **For drywall applications**, drill four 9/32" (7.1 mm) holes in the marked location from step 2A. **For concrete or cinder block applications**, drill four 5/32" (4 mm) holes to a depth of 1-3/4" (45 mm) in the marked location from step 2A. Skip step 2D for concrete and cinder block applications.
- D) Insert the plastic anchors until they are flush with the wall surface.
- E) Attach the base to the wall using the appropriate screws provided.

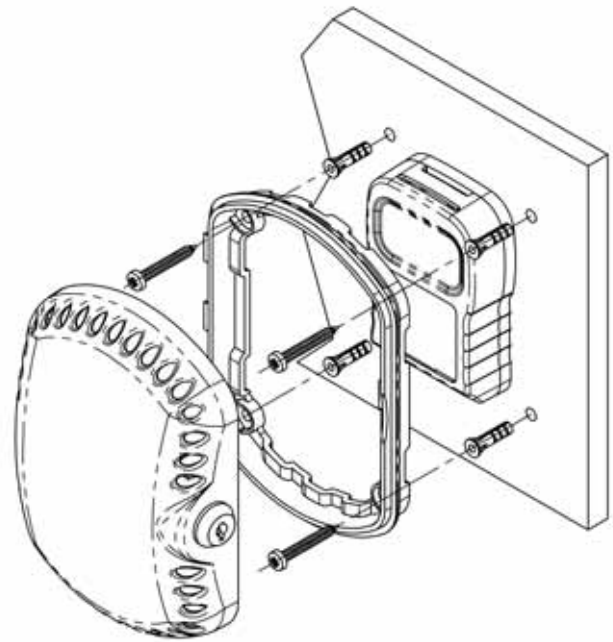


Fig. 2
Mounting Diagram

Step 3: Re-Attach Cover

- A) Slide cover hinge slots over the hinge tabs on the base.
- B) Close cover to base.
- C) Use the key to lock the cover in place.

Note: Replacement keys may be purchased from the factory using model number TG-KEY.

MAINTENANCE

Upon final installation of the Series TG Polycarbonate Wall Mount Thermostat Covers, no routine maintenance is required. The Series TG is not field serviceable and should be returned if repair is needed (field repair should not be attempted and may void warranty). Be sure to include a brief description of the problem plus any relevant application notes. Contact customer service to receive a return goods authorization number before shipping.