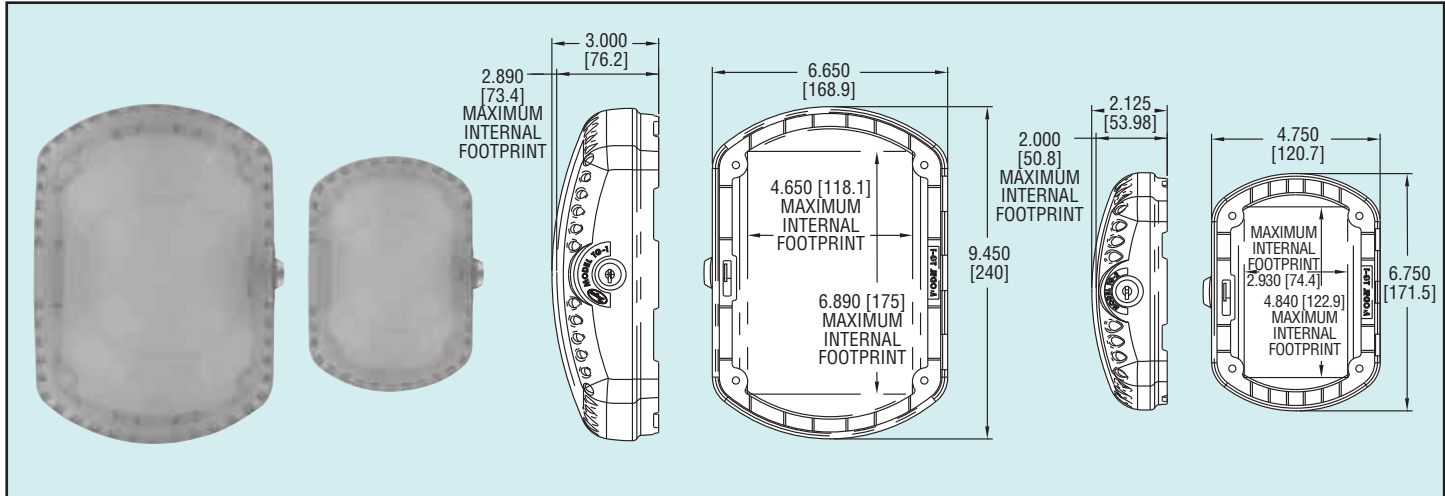




Series
TG

Polycarbonate Wall Mount Thermostat Covers

Key Lock Protection, Easy to Mount



The **Series TG Polycarbonate Thermostat Cover** prevents physical damage and unauthorized adjustments of thermostats. Two sizes of covers are available to fit most common thermostats and transmitters. The low profile design with ventilation slits allows exceptional air flow in order to obtain accurate measurements. Each cover comes with two keys and mounting hardware for drywall and concrete walls.

Model TG-1, Large Thermostat Cover
Model TG-2, Small Thermostat Cover

ACCESSORY
TG-KEY, Replacement Keys