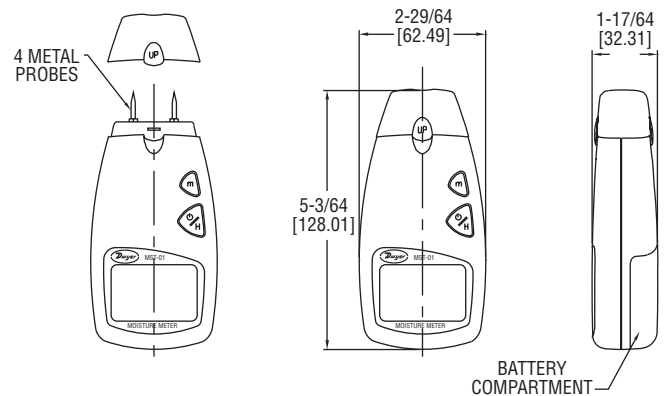




# Series MST-01 Digital Moisture Meter

## Specifications - Installation and Operating Instructions



The Series MST-01 Digital Moisture Meter is a high accuracy instrument used for determining the moisture content in wood, bamboo, and other various materials. This unit features a durable and rugged enclosure which ensures a long life span. The large digital LCD makes measurements easy to read, while the hold function makes them easy to record. The MST-01 includes a nylon carrying case, protective cap, two replacement pins, and one 9V battery.

### MATERIALS SUPPLIED

Below is a list of materials included with each unit:

- Nylon carrying case
- Protective cap
- Two (2) replacement pins
- One (1) 9V battery in polybag

### MEASURING PROCEDURE

1. Press the power/hold key ( $\text{O}/\text{H}$ ) to start the unit. The LCD will show "0.0%" and the start sign, "SCAN."
2. Press the "m" key to choose the corresponding tree type; 1, 2, 3, or 4. Tree types can be found in the cross reference list. If the tree type being measured is unknown, it is suggested to choose the default tree type, which is type 3.
3. Insert the pins of the instrument into the material for measurement. The LCD will show the reading almost immediately.
4. When the power/hold key ( $\text{O}/\text{H}$ ) is pressed during the measuring procedure, the present reading will be held and the "HOLD" sign will show on the LCD. If you press the power/hold ( $\text{O}/\text{H}$ ) key a second time, the hold function will be cancelled. **NOTE:** Do not press and hold the power/hold key ( $\text{O}/\text{H}$ ) for more than two (2) seconds unless you wish to turn off the unit.
5. After the measurement is finished, press and hold the power/hold key ( $\text{O}/\text{H}$ ) for over 2 seconds to turn off the unit. Cover the pins with the protective cap when the instrument is ready to be stored.

### NOTES

1. Because of the auto-correct function, place the meter in the same testing conditions as the testing environment. Make sure the unit stays in these conditions for at least twenty (20) minutes to allow the instrument to adjust to the temperature difference.
2. The instrument features a high resistance threshold and is well insulated. However, be sure to keep the unit dry and clean while storing in order to ensure the highest possible performance.
3. As the power supply for the unit becomes insufficient, the LCD will display a battery symbol. At this time, replace the used battery with one (1) 9V battery.

### SPECIFICATIONS

- Range:** 2 to 70% moisture content.
- Moisture Content Accuracy:**  $\pm 1.5\%$ .
- Temperature Limits:** 32 to 104°F (0 to 40°C).
- Humidity Limits:** 0 to 70% RH.
- Display:** 3-digit LCD.
- Resolution:** 0.5%.
- Power Requirements:** 9 V alkaline battery, included, user replaceable.
- Weight:** 4.1 oz (116 g).

Species	Tree Type	Species	Tree Type
Thodesian Teak	1	Cork Wood	3
Afromrosia	1	Padauk	3
Brazilian Walnut	1	Eim	3
Walnut	2	Gumari	3
Keruing	2	Hemlock	3
White Poplar	2	Gurjun	3
Teak	2	Oak	3
Fir	3	Masson Pine	4
Douglas Fir	3	Chile Pine	4
Lauan	3	White Pine	4
Ash	3	Larch	4
White Fir	3	Apitong	4
Maple	3	Birch	4
White Ash	3	Basswood	4

### MAINTENANCE/REPAIR

Upon final installation of the Series MST-01, no routine maintenance is required. The Series MST-01 is not field serviceable and should be returned if repair is needed. Field repair should not be attempted and may void warranty.

### WARRANTY/RETURN

Refer to "Terms and Conditions of Sales" in our catalog and on our website. Contact customer service to receive a Return Goods Authorization number before shipping the product back for repair. Be sure to include a brief description of the problem plus any additional application notes.