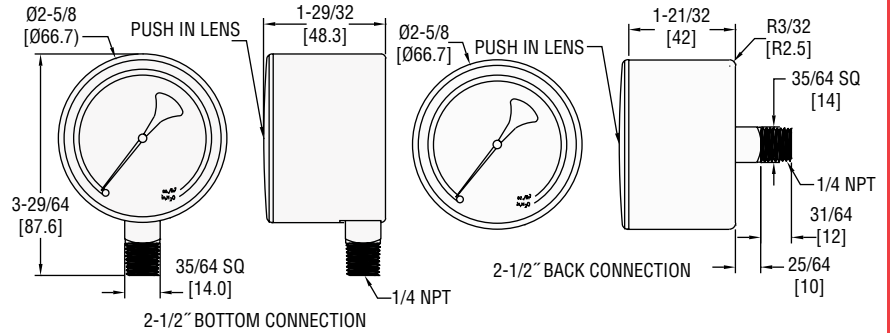




SERIES LPG3 | DWYER

# LOW PRESSURE GAGE

## 1.6% FS Accuracy in a 2-1/2" Gage



**SERIES LPG3** Low Pressure Gages are designed to be especially sensitive with an elastic element that expands and contracts with very small changes in pressure for ASME Grade 1A accuracy. This series is meant for the measurement of low pressures of gases and liquids and is ideal for air flow indicators, liquid level indicators and draft gages. Our new low pressure gages are available in 2-1/2" dial with either a bottom or back connection option.

### SPECIFICATIONS

- Service:** Compatible gases and liquids.
- Wetted Materials:** Brass.
- Housing Materials:** Steel with black finish.
- Lens:** Polycarbonate.
- Accuracy:** 1.6% FS; ANSI B40.1 Grade 1A.
- Pressure Limit:** 110%.
- Temperature Limits:** -40 to 150°F (-40 to 65°C).
- Size:** 2-1/2" (63 mm).
- Process Connections:** 1/4" NPT, bottom or back.
- Weight:** 6.5 oz (184 g).

MODEL CHART			
Model Bottom	Range in w.c./oz/in <sup>2</sup>	Model Back	Range in w.c./oz/in <sup>2</sup>
LPG3-D8122N	0 to 15 (0 to 8.6 oz/in <sup>2</sup> )	LPG3-D8142N	0 to 15 (0 to 8.6 oz/in <sup>2</sup> )
LPG3-D8222N	0 to 32 (0 to 18.5 oz/in <sup>2</sup> )	LPG3-D8242N	0 to 32 (0 to 18.5 oz/in <sup>2</sup> )
LPG3-D8422N	0 to 55 (0 to 32.0 oz/in <sup>2</sup> )	LPG3-D8442N	0 to 55 (0 to 32.0 oz/in <sup>2</sup> )
LPG3-D8622N	0 to 100 (0 to 58.0 oz/in <sup>2</sup> )	LPG3-D8642N	0 to 100 (0 to 58.0 oz/in <sup>2</sup> )
LPG3-D8822N	0 to 200 (0 to 116 oz/in <sup>2</sup> )	LPG3-D8842N	0 to 200 (0 to 116 oz/in <sup>2</sup> )
Model Bottom	Range psi/kPa	Model Back	Range psi/kPa
LPG3-D9922N	0 to 5 (0 to 35 kPa)	LPG3-D9942N	0 to 5 (0 to 35 kPa)
LPG3-D0022N	0 to 10 (0 to 70 kPa)	LPG3-D0042N	0 to 10 (0 to 70 kPa)