



## Series APM Analog Panel Meter Instruction Manual



- 0-20 mA, 4-20 mA, 0-5 V, 1-5 V,  $\pm 10$  V Inputs
- NEMA 4X, IP65 Front
- Universal 85-265 VAC, or 12/24 VDC Input Power Models
- Large Dual-Line 6-Digit Display, 0.60" & 0.46"
- Sunlight Readable Display Models
- Isolated 24 VDC Transmitter Power Supply
- Signal Input Conditioning for Flow
- Programmable Displays & Function Keys
- Rate Displayed as Units per Second, Minute, Hour, or Day
- Total, Grand Total or Non-Resettable Grand Total
- 9-Digit Totalizer with Total Overflow Feature
- 32-Point Linearization, Square Root or Exponential Linearization
- Multi-Pump Alternation Control
- 2 or 4 Relays + Isolated 4-20 mA Output for Rate/Total/Grand Total
- External 4-Relay & Digital I/O Expansion Modules
- RS-232 & RS-485 Serial Communication Options
- Modbus<sup>®</sup> RTU Communication Protocol Standard
- Tare Function
- Configure, Monitor, and Datalog from a PC with Free Panel Meter Pro Software

**DWYER INSTRUMENTS, INC.**  
PO Box 373 • Michigan City IN 46360 USA

Phone: (800) 872-9141  
Fax: (219) 872-9057  
[www.dwyer-inst.com](http://www.dwyer-inst.com)

## Disclaimer

The information contained in this document is subject to change without notice. Dwyer Instruments, Inc. makes no representations or warranties with respect to the contents hereof; and specifically disclaims any implied warranties of merchantability or fitness for a particular purpose.



**CAUTION:** *Read complete instructions prior to installation and operation of the meter.*



**WARNING:** *Risk of electric shock or personal injury.*



### Warning

***This product is not recommended for life support applications or applications where malfunctioning could result in personal injury or property loss. Anyone using this product for such applications does so at his/her own risk. Dwyer Instruments, Inc. shall not be held liable for damages resulting from such improper use.***

## Limited Warranty

Dwyer Instruments, Inc. warrants this product against defects in material or workmanship for the specified period under "Specifications" from the date of shipment from the factory. Dwyer Instruments, Inc.'s liability under this limited warranty shall not exceed the purchase value, repair, or replacement of the defective unit.

## Registered Trademarks

All trademarks mentioned in this document are the property of their respective owners.

© 2008-2012 Dwyer Instruments, Inc. All rights reserved.

**[www.dwyer-inst.com](http://www.dwyer-inst.com)**

## Table of Contents

<b>INTRODUCTION</b>	<b>7</b>
<b>ORDERING INFORMATION</b>	<b>7</b>
<b>SPECIFICATIONS</b>	<b>8</b>
General	8
Process Input	9
Rate/Totalizer	10
Relays	11
Isolated 4-20 mA Transmitter Output	12
Modbus® RTU Serial Communications	13
PMA-12 Digital Input & Output Expansion Module	13
<b>COMPLIANCE INFORMATION</b>	<b>14</b>
Safety	14
Electromagnetic Compatibility	14
<b>SAFETY INFORMATION</b>	<b>15</b>
<b>INSTALLATION</b>	<b>16</b>
Unpacking	16
Panel Mounting Instructions	16
Mounting Dimensions	17
Configuration for 12 or 24 VDC Power Option	18
Transmitter Supply Voltage Selection (P+, P-)	19
Connections	19
Connectors Labeling	20
Power Connections	20
Signal Connections	21
Modbus RTU Serial Communications	22
Relay Connections	22
Switching Inductive Loads	23
F4 Digital Input Connections	24
4-20 mA Output Connections	24
Analog Output Transmitter Power Supply	24
External Relay & Digital I/O Connections	25
Interlock Relay Feature	26
<b>SETUP AND PROGRAMMING</b>	<b>27</b>
Front Panel Buttons and Status LED Indicators	28
Display Functions and Messages	29
Main Menu	33
Setting Numeric Values	34
Setting Up the Rate/Totalizer Meter (SELP)	35

Setting the Input Signal ( <i>inPut</i> )	36
Setting the Totalizer Features ( <i>totRL</i> )	36
Setting the Input Units or Custom Tags ( <i>un itS</i> )	37
Setting the Decimal Point ( <i>dEc Pt</i> )	38
Programming the Rate/Totalizer ( <i>Pr oG</i> )	38
Multi-Point Calibration & Scaling	39
Panel Meter Pro Software	39
Input Calibration Method ( <i>inCRl</i> )	39
Scaling the Meter ( <i>SLRLE</i> )	40
Calibrating the Meter with External Source ( <i>CRl</i> )	41
Time Base, Total Conversion Factor & Total Reset	42
Setting the Display Parameter & Intensity ( <i>dSPLRy</i> )	43
Display Setup Menu	44
Setting the Relay Operation ( <i>rELRy</i> )	45
Relay Assignment ( <i>R55 in</i> )	46
Setting the Relay Action	47
Programming Set and Reset Points	48
Setting Fail-Safe Operation	48
Programming Time Delay	48
Relay Action for Loss of 4-20 mA Input (Loop Break)	48
<b>Relay and Alarm Operation Diagrams</b>	<b>49</b>
High Alarm Operation (Set > Reset)	49
Low Alarm Operation (Set < Reset)	50
High Alarm with Fail-Safe Operation (Set > Reset)	51
Low Alarm with Fail-Safe Operation (Set < Reset)	52
Pump Alternation Control Operation	53
Rate Relay Sampling Operation	54
Total Relay Sampling Operation	54
Signal Loss or Loop Break Relay Operation	55
Time Delay Operation	56
<b>Relay Operation Details</b>	<b>57</b>
Overview	57
Relays Auto Initialization	57
Fail-Safe Operation	57
Front Panel LEDs	58
Latching and Non-Latching Relay Operation	58
Non-Latching Relay ( <i>Rut o</i> )	59
Non-Latching Relay ( <i>R-nRRn</i> )	59
Latching Relay ( <i>LRtCH</i> )	59
Latching Relay ( <i>Lt-CLR</i> )	60
Acknowledging Relays	60
Pump Alternation Control Applications ( <i>RLtERN</i> )	61
Setting Up the Interlock Relay (Force On) Feature	64

<b>Analog Panel Meter</b>	<b>Instruction Manual</b>
<b>Scaling the 4-20 mA Analog Output (Rout)</b> .....	<b>65</b>
<b>Reset Menu (rESEt)</b> .....	<b>66</b>
<b>Control Menu (ContRL)</b> .....	<b>66</b>
<b>Setting Up the Password (PASS)</b> .....	<b>66</b>
Protecting or Locking the Meter .....	67
Total Reset Password & Non-Resettable Total .....	67
Making Changes to a Password Protected Meter .....	68
Disabling Password Protection .....	68
<b>Advanced Features Menu</b> .....	<b>69</b>
Advanced Features Menu & Display Messages .....	70
Noise Filter (FILTEr) .....	73
Noise Filter Bypass (bYPASS) .....	73
Rounding Feature (rouNd) .....	73
Modbus RTU Serial Communications (SErIAL) .....	74
Select Menu (SELEct) .....	75
Signal Input Conditioning (FUNctIoN) .....	75
Low-Flow Cutoff (LOWtOFF) .....	77
Totalizer Count Up/Down (COuNt) .....	77
Analog Output Programming (ROuTPr) .....	78
Programmable Function Keys User Menu (uSEr) .....	79
Tare (tARE) .....	80
Internal Source Calibration (IRL) .....	80
Meter Copy Function (COpy) .....	82
Copy Function Requirements .....	83
<b>METER OPERATION</b> .....	<b>84</b>
<b>Front Panel Buttons Operation</b> .....	<b>84</b>
<b>Function Keys Operation</b> .....	<b>84</b>
<b>F4 Operation</b> .....	<b>85</b>
<b>Maximum/Minimum Readings</b> .....	<b>85</b>
<b>TROUBLESHOOTING</b> .....	<b>86</b>
<b>Diagnostics Menu (dIAL)</b> .....	<b>86</b>
Determining Software Version .....	86
<b>Reset Meter to Factory Defaults</b> .....	<b>87</b>
Factory Defaults & User Settings .....	88
<b>Troubleshooting Tips</b> .....	<b>91</b>
<b>Alphabetical List of Display Functions &amp; Messages</b> .....	<b>92</b>

## Table of Figures

Figure 1: 1/8 DIN Panel Cutout and Mounting.....	16
Figure 2: Meter Dimensions - Side View.....	17
Figure 3: Meter Dimensions - Top View.....	17
Figure 4: Jumper Configuration for 12/24 VDC Power.....	18
Figure 5: Transmitter Supply Voltage Selection.....	19
Figure 6: Connector Labeling for Fully Loaded APM.....	20
Figure 7: Power Connections.....	20
Figure 8: Transmitter Powered by Internal Supply.....	21
Figure 9: Transmitter Powered by Ext. Supply or Self-Powered.....	21
Figure 10: Voltage Input Connections.....	22
Figure 11: Relay Connections.....	22
Figure 12: AC and DC Loads Protection.....	23
Figure 13: Low Voltage DC Loads Protection.....	23
Figure 14: F4 Digital Input Connections.....	24
Figure 15: 4-20 mA Output Connections.....	24
Figure 16: Expansion Modules & DIN Rail Mounting Kit.....	25
Figure 17: External Relays Module Connections.....	25
Figure 18: Digital I/O Module Connections.....	26
Figure 19. Interlock Connection.....	26
Figure 20: Acknowledge Relays w/Function Key or Digital Input....	60

## INTRODUCTION

The APM is a multi-purpose, easy to use rate/totalizer ideal for flow rate, total, and control applications. It accepts current and voltage signals (e.g. 4-20 mA, 0-10 V). Three of the front panel buttons can be custom-programmed for specific operation.

The basic model includes an isolated 24 VDC transmitter power supply that can be used to power the input transmitter or other devices. An additional isolated 24 VDC power supply is included with the 4-20 mA output option. A digital input, F4, is standard.

A fully loaded APM rate/totalizer meter has the following: four SPDT relays, 4-20 mA output, and two 24 VDC power supplies. The APM capabilities may be enhanced by adding the following external expansion modules: four SPST relays (creating an eight-relay rate/totalizer), two digital I/O modules with four inputs and four outputs each, and USB, RS-232 or RS-485 communication adapters.

The eight relays can be used for alarm indication or process control applications. The 4-20 mA isolated output, Modbus RTU serial communications, and digital I/O options make the APM an excellent addition to any system.

## ORDERING INFORMATION

85-265 VAC Model	12/24 VDC Model	Options Installed
APM-100	APM-200	No options
APM-101	APM-201	4-20 mA output
APM-120	APM-220	2 relays
APM-121	APM-221	2 relays & 4-20 mA output
APM-140	APM-240	4 relays
APM-141	APM-241	4 relays & 4-20 mA output

### Accessories

Model	Description
PMA-01	RS-232 serial adapter
PMA-02	Meter copy cable
PMA-03	RS-422/485 serial adapter
PMA-04	RS-232 to RS-422/485 isolated converter
PMA-05	RS-232 to RS-422/485 non-isolated converter
PMA-06	USB to RS-232 non-isolated converter
PMA-07	USB to RS-422/485 isolated converter
PMA-08	USB to RS-422/485 non-isolated converter
PMA-10	DIN rail mounting kit for two expansion modules
PMA-11	4 SPST (Form A) relays
PMA-12	4 digital inputs & 4 digital outputs (2 may be connected)
PMA-13	Suppressor (snubber): 0.01 $\mu$ F/470 $\Omega$ , 250 VAC

**SPECIFICATIONS**

*Except where noted all specifications apply to operation at +25°C.*

**General**

<b>DISPLAY</b>	Upper display: 0.6" (15 mm) high, red LEDs Second display: 0.46" (12 mm) high, red LEDs 6 digits: each (-99999 to 999999), with lead zero blanking.
<b>DISPLAY INTENSITY</b>	Eight user selectable intensity levels
<b>DISPLAY UPDATE RATE</b>	5/second (200 ms)
<b>OVERRANGE</b>	Display flashes <b>999999</b>
<b>UNDERRANGE</b>	Display flashes <b>-99999</b>
<b>DISPLAY ASSIGNMENT</b>	The main (Big) and small (Little) displays may be assigned to rate, total, grand total, alternate (rate/total, rate/grand total, rate/units, total/units, and grand total/units), set points, max/min, units (lower display only), and Modbus input. Additional displays are available if parameter $E_{OFF}$ is $OFF$ , and parameter $d-5ERRL$ is $on$ : gross, alternating gross/net, PV1, PV2, and PCT (refer to MPM instruction manual found on <a href="http://www.dwyer-inst.com">www.dwyer-inst.com</a> ).
<b>PROGRAMMING METHODS</b>	Four front panel buttons, digital inputs, PC and Panel Meter Pro software, or cloning using Copy function.
<b>NOISE FILTER</b>	Programmable from 2 to 199 (0 will disable filter)
<b>FILTER BYPASS</b>	Programmable from 0.1 to 99.9% of calibrated span
<b>RECALIBRATION</b>	All ranges are calibrated at the factory. Recalibration is recommended at least every 12 months.
<b>MAX/MIN DISPLAY</b>	Max/min readings reached by the process are stored until reset by the user or until power to the meter is turned off.
<b>PASSWORD</b>	Three programmable passwords restrict modification of programmed settings and two prevent resetting the totals. Pass 1: Allows use of function keys and digital inputs Pass 2: Allows use of function keys, digital inputs and editing set/reset points Pass 3: Restricts all programming, function keys, and digital inputs. Total: Prevents resetting the total manually Gtotal: Prevents resetting the grand total manually
<b>NON-VOLATILE MEMORY</b>	All programmed settings are stored in non-volatile memory for a minimum of ten years if power is lost.
<b>POWER OPTIONS</b>	85-265 VAC 50/60 Hz, 90-265 VDC, 20 W max or jumper selectable 12/24 VDC $\pm$ 10%, 15 W max
<b>FUSE</b>	Required external fuse: UL Recognized, 5 A max, slow blow; up to 6 meters may share one 5 A fuse



<b>ISOLATED TRANSMITTER POWER SUPPLY</b>	Terminals P+ & P-: 24 VDC $\pm$ 10%. 12/24 VDC powered models selectable for 24, 10, or 5 VDC supply (internal jumper J4). 85-265 VAC models rated @ 200 mA max, 12/24 VDC powered models rated @ 100 mA max, @ 50 mA max for 5 or 10 VDC supply.
<b>NORMAL MODE REJECTION</b>	Greater than 60 dB at 50/60 Hz
<b>ISOLATION</b>	4 kV input/output-to-power line 500 V input-to-output or output-to-P+ supply
<b>OVERVOLTAGE CATEGORY</b>	Installation Overvoltage Category II: Local level with smaller transient overvoltages than Installation Overvoltage Category III.
<b>ENVIRONMENTAL</b>	Operating temperature range: -40 to 65°C Storage temperature range: -40 to 85°C Relative humidity: 0 to 90% non-condensing
<b>CONNECTIONS</b>	Removable screw terminal blocks accept 12 to 22 AWG wire, RJ45 for external relays, digital I/O, and serial communication adapters.
<b>ENCLOSURE</b>	1/8 DIN, high impact plastic, UL 94V-0, color: black
<b>MOUNTING</b>	1/8 DIN panel cutout required: 3.622" x 1.772" (92 mm x 45 mm) Two panel mounting bracket assemblies are provided.
<b>TIGHTENING TORQUE</b>	Screw terminal connectors: 5 lb-in (0.56 Nm)
<b>OVERALL DIMENSIONS</b>	4.68" x 2.45" x 5.64" (119 mm x 62 mm x 143 mm) (W x H x D)
<b>WEIGHT</b>	9.5 oz (269 g)
<b>WARRANTY</b>	3 years parts & labor

## Process Input

<b>INPUTS</b>	Field selectable: 0-20, 4-20 mA, $\pm$ 10 V (0-5, 1-5, 0-10 V), Modbus PV (Slave)
<b>ACCURACY</b>	$\pm$ 0.03% of calibrated span $\pm$ 1 count, square root & programmable exponent accuracy range: 10-100% of calibrated span
<b>TEMPERATURE DRIFT</b>	0.005% of calibrated span/ $^{\circ}$ C max from 0 to 65°C ambient, 0.01% of calibrated span/ $^{\circ}$ C max from -40 to 0°C ambient
<b>SIGNAL INPUT CONDITIONING</b>	Linear, square root, programmable exponent, or round horizontal tank volume calculation

<b>MULTI-POINT LINEARIZATION</b>	2 to 32 points
<b>PROGRAMMABLE EXPONENT</b>	1.0001 to 2.9999
<b>ROUND H TANK</b>	Diameter & Length: 999.999 inch or cm calculates volume in gallons or liters respectively.
<b>LOW-FLOW CUTOFF</b>	0-999999 (0 disables cutoff function)
<b>DECIMAL POINT</b>	Up to five decimal places or none: <i>dddddd, ddddd, dddd, ddd, dd, or dddddd</i>
<b>CALIBRATION RANGE</b>	Input Range      Minimum Span Input 1 & Input 2 4-20 mA    0.15 mA ±10 V      0.10 V An error message will appear if the input 1 and input 2 signals are too close together.
<b>INPUT IMPEDANCE</b>	Voltage ranges: greater than 500 kΩ Current ranges: 50 - 100 Ω (depending on resettable fuse impedance)
<b>INPUT OVERLOAD</b>	Current input protected by resettable fuse, 30 VDC max. Fuse resets automatically after fault is removed.
<b>F4 DIGITAL INPUT CONTACTS</b>	3.3 VDC on contact. Connect normally open contacts across F4 to COM.
<b>F4 DIGITAL INPUT LOGIC LEVELS</b>	Logic High: 3 to 5 VDC Logic Low: 0 to 1.25 VDC

## Rate/Totalizer

<b>RATE DISPLAY INDICATION</b>	-99999 to 999999, lead zero blanking. "R" LED illuminates while displaying rate.
<b>TOTAL DISPLAY &amp; TOTAL OVERFLOW</b>	0 to 999,999; automatic lead zero blanking. "T" LED is illuminated while displaying total or grand total. Up to 999,999,999 with total-overflow feature. "oF" is displayed to the left of total overflow and ▲ LED is illuminated.
<b>TOTAL DECIMAL POINT</b>	Up to five decimal places or none: <i>dddddd, ddddd, dddd, ddd, dd, or dddddd</i> Total decimal point is independent of rate decimal point.
<b>TOTALIZER</b>	Calculates total based on rate and field programmable multiplier to display total in engineering units. Time base must be selected according to the time units in which the rate is displayed.
<b>TOTALIZER ROLLOVER</b>	Totalizer rolls over when display exceeds 999,999,999. Relay status reflects display.

<b>TOTAL OVERFLOW OVERRIDE</b>	Program total reset for automatic with 0.1 second delay and set point 1 for 999,999
<b>TOTALIZER PRESETS</b>	Up to eight, user selectable under setup menu. Any set point can be assigned to total and may be programmed anywhere in the range of the meter for total alarm indication.
<b>PROGRAMMABLE DELAY ON RELEASE</b>	0.1 and 999.9 seconds; applied to the first relay assigned to total or grand total. If the meter is programmed to reset total to zero automatically when the preset is reached, then a delay will occur before the total is reset.
<b>TOTAL RESET</b>	Via front panel button, external contact closure on digital inputs, automatically via user selectable preset value and time delay, or through serial communications.
<b>TOTAL RESET PASSWORD</b>	Total and grand total passwords may be entered to prevent resetting the total or grand total from the front panel.
<b>NON-RESETTABLE TOTAL</b>	The grand total can be programmed as a non-resettable total by entering the password "050873".



**Caution!**

*Once the Grand Total has been programmed as "non-resettable" the feature **cannot** be disabled.*

## Relays

<b>RATING</b>	2 or 4 SPDT (Form C) internal and/or 4 SPST (Form A) external; rated 3 A @ 30 VDC and 125/250 VAC resistive load; 1/14 HP ( $\approx$ 50 W) @ 125/250 VAC for inductive loads
<b>NOISE SUPPRESSION</b>	Noise suppression is recommended for each relay contact switching inductive loads; see page 23 for details.
<b>RELAY ASSIGNMENT</b>	Relays may be assigned to rate, total, or grand total.
<b>DEADBAND</b>	0-100% of span, user programmable
<b>HIGH OR LOW ALARM</b>	User may program any alarm for high or low trip point. Unused alarm LEDs and relays may be disabled (turn off).
<b>RELAY OPERATION</b>	Automatic (non-latching) and/or manual reset Latching (requires manual acknowledge) with/without clear Pump alternation control (2 to 8 relays) Sampling (based on time) Off (disable unused relays and enable Interlock feature) Manual on/off control mode

<b>RELAY RESET</b>	User selectable via front panel buttons, digital inputs, or PC
	<ol style="list-style-type: none"> <li>1. Automatic reset only (non-latching), when the input passes the reset point or total is reset to zero.</li> <li>2. Automatic + manual reset at any time (non-latching)</li> <li>3. Manual reset only, at any time (latching)</li> <li>4. Manual reset only after alarm condition has cleared (latching)</li> </ol> <p><i>Note: Front panel button or digital input may be assigned to acknowledge relays programmed for manual reset.</i></p>
<b>TIME DELAY</b>	0 to 999.9 seconds, on & off relay time delays Programmable and independent for each relay.
<b>FAIL-SAFE OPERATION</b>	Programmable and independent for each relay. <i>Note: Relay coil is energized in non-alarm condition. In case of power failure, relay will go to alarm state.</i>
<b>AUTO INITIALIZATION</b>	When power is applied to the meter, relays will reflect the state of the input to the meter.

## Isolated 4-20 mA Transmitter Output

<b>OUTPUT SOURCE</b>	Rate/process, total, grand total, max, min, set points 1-8, or manual control mode		
<b>SCALING RANGE</b>	1.000 to 23.000 mA for any display range.		
<b>CALIBRATION</b>	Factory calibrated: 4.000 to 20.000 = 4-20 mA output		
<b>ANALOG OUT PROGRAMMING</b>	23.000 mA maximum for all parameters: Overrange, underrange, max, min, and break		
<b>ACCURACY</b>	$\pm 0.1\% \text{ FS} \pm 0.004 \text{ mA}$		
<b>TEMPERATURE DRIFT</b>	0.4 $\mu\text{A}/^\circ\text{C}$ max from 0 to 65 $^\circ\text{C}$ ambient, 0.8 $\mu\text{A}/^\circ\text{C}$ max from -40 to 0 $^\circ\text{C}$ ambient <i>Note: Analog output drift is separate from input drift.</i>		
<b>ISOLATED TRANSMITTER POWER SUPPLY</b>	Terminals I+ & R: 24 VDC $\pm 10\%$ . May be used to power the 4-20 mA output or other devices. Refer to Figure 5 on page 19 and Figure 15 on page 24. All models rated @ 40 mA max.		
<b>EXTERNAL LOOP POWER SUPPLY</b>	35 VDC maximum		
<b>OUTPUT LOOP RESISTANCE</b>	Power supply	Minimum	Maximum
	24 VDC	10 $\Omega$	700 $\Omega$
	35 VDC (external)	100 $\Omega$	1200 $\Omega$

**Modbus<sup>®</sup> RTU Serial Communications**

<b>SLAVE ID</b>	1 – 247 (Meter address)
<b>BAUD RATE</b>	300 - 19,200 bps
<b>TRANSMIT TIME DELAY</b>	Programmable between 0 and 199 ms
<b>DATA</b>	8 bit (1 start bit, 1 or 2 stop bits)
<b>PARITY</b>	Even, Odd, or None with 1 or 2 stop bits
<b>BYTE-TO-BYTE TIMEOUT</b>	0.01 – 2.54 second
<b>TURN AROUND DELAY</b>	Less than 2 ms (fixed)

*Note: Refer to the Modbus Register Tables located at [www.dwyer-inst.com](http://www.dwyer-inst.com) for details.*

**PMA-12 Digital Input & Output Expansion Module**

<b>CHANNELS</b>	4 digital inputs & 4 digital outputs per module
<b>SYSTEM</b>	Up to 2 modules for a total of 8 inputs & 8 outputs
<b>DIGITAL INPUT LOGIC HIGH</b>	3 to 5 VDC
<b>DIGITAL INPUT LOGIC LOW</b>	0 to 1.25 VDC
<b>DIGITAL OUTPUT LOGIC HIGH</b>	3.1 to 3.3 VDC
<b>DIGITAL OUTPUT LOGIC LOW</b>	0 to 0.4 VDC
<b>SOURCE CURRENT</b>	10 mA maximum output current
<b>SINK CURRENT</b>	1.5 mA minimum input current
<b>+5 V TERMINAL</b>	To be used as pull-up for digital inputs only Connect normally open pushbuttons across +5 V & DI 1-4.

**COMPLIANCE INFORMATION****Safety**

<b>UL &amp; c-UL LISTED</b>	USA & Canada UL 508 Industrial Control Equipment
<b>UL FILE NUMBER</b>	E212517
<b>FRONT PANEL</b>	UL Type 4X, NEMA 4X, IP65; panel gasket provided
<b>LOW VOLTAGE DIRECTIVE</b>	EN 61010-1:2001 Safety requirements for measurement, control, and laboratory use

**Electromagnetic Compatibility**

<b>EMISSIONS</b>	EN 55022:2006/A1:2007 Class A ITE emissions requirements
Radiated Emissions	Class A
AC Mains Conducted Emissions	Class A
<b>IMMUNITY</b>	EN 61326-1:2006 Measurement, control, and laboratory equipment EN 61000-6-2:2005 EMC heavy industrial generic immunity standard
RFI - Amplitude Modulated	80 -1000 MHz 10 V/m 80% AM (1 kHz) 1.4 - 2.0 GHz 3 V/m 80% AM (1 kHz) 2.0 - 2.7 GHz 1 V/m 80% AM (1 kHz)
Electrical Fast Transients	±2kV AC mains, ±1kV other
Electrostatic Discharge	±4kV contact, ±8kV air
RFI - Conducted	10V, 0.15-80 MHz, 1kHz 80% AM
AC Surge	±2kV Common, ±1kV Differential
Surge	1KV (CM)
Power-Frequency Magnetic Field	3 A/m 70%V for 0.5 period
Voltage Dips	40%V for 5 & 50 periods 70%V for 25 periods
Voltage Interruptions	<5%V for 250 periods

**Note:**

*Testing was conducted on APM meters installed through the covers of grounded metal enclosures with cable shields grounded at the point of entry representing installations designed to optimize EMC performance.*

*Declaration of Conformity available at [www.dwyer-inst.com](http://www.dwyer-inst.com)*

**SAFETY INFORMATION**

**CAUTION:** *Read complete instructions prior to installation and operation of the meter.*



**WARNING:** *Risk of electric shock or personal injury.*



**Warning!**

***Hazardous voltages exist within enclosure. Installation and service should be performed only by trained service personnel.***

## INSTALLATION

There is no need to remove the meter from its case to complete the installation, wiring, and setup of the meter for most applications. Instructions are provided for setting up a 12/24 VDC powered meter to operate from 12 VDC and for changing the transmitter power supply to output 5 or 10 VDC instead of 24 VDC, see page 18.

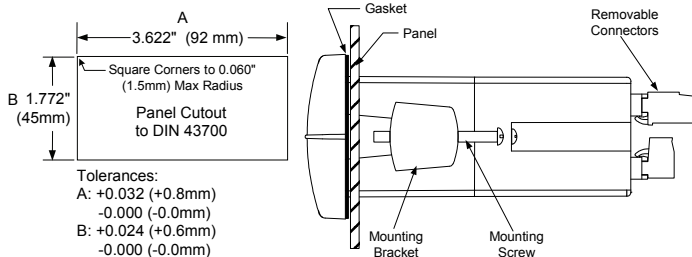
### Unpacking

Remove the meter from box. Inspect the packaging and contents for damage. Report damages, if any, to the carrier.

If any part is missing or the meter malfunctions, please contact your supplier or the factory for assistance.

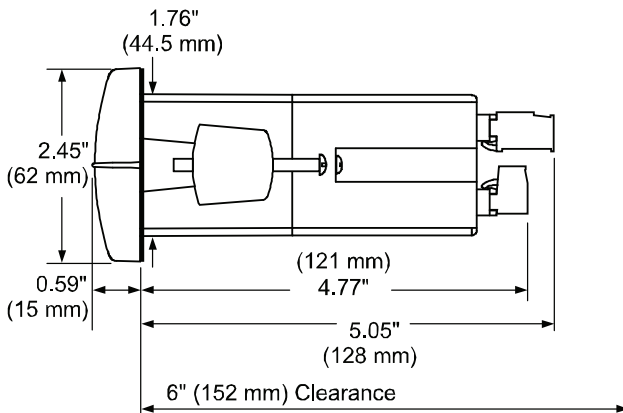
### Panel Mounting Instructions

- Prepare a standard 1/8 DIN panel cutout – 3.622" x 1.772" (92 mm x 45 mm). Refer to Figure 1 for more details.
- Clearance: allow at least 6.0" (152 mm) behind the panel for wiring.
- Panel thickness: 0.04" - 0.25" (1.0 mm - 6.4 mm).  
Recommended minimum panel thickness to maintain Type 4X rating: 0.06" (1.5 mm) steel panel, 0.16" (4.1 mm) plastic panel.
- Remove the two mounting brackets provided with the meter (back-off the two screws so that there is 1/4" (6.4 mm) or less through the bracket. Slide the bracket toward the front of the case and remove).
- Insert meter into the panel cutout.
- Install mounting brackets and tighten the screws against the panel. To achieve a proper seal, tighten the mounting bracket screws evenly until meter is snug to the panel along its short side. **DO NOT OVER TIGHTEN**, as the rear of the panel may be damaged.

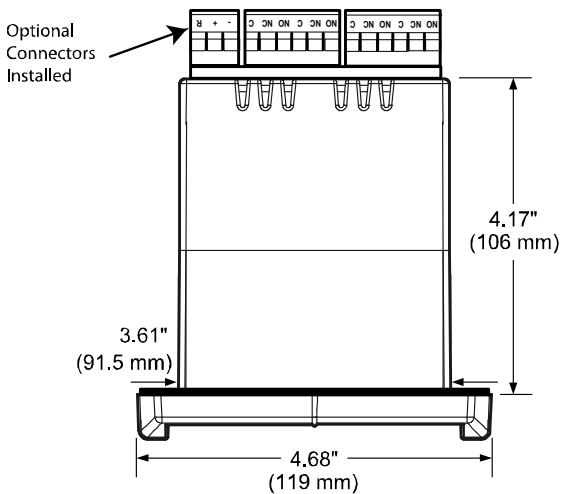


**Figure 1: 1/8 DIN Panel Cutout and Mounting**





**Figure 2: Meter Dimensions - Side View**



**Figure 3: Meter Dimensions - Top View**

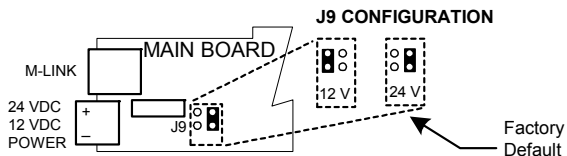
**Configuration for 12 or 24 VDC Power Option****Warning!**

*Do not exceed voltage rating of the selected configuration.*

Meters equipped with the 12/24 VDC power option are shipped from the factory ready to operate from 24 VDC.

To configure the meter for 12 VDC power:

1. Remove all the connectors.
2. Unscrew the back cover.
3. Slide the back cover about 1 inch.
4. Configure the J9 jumper, located behind the power connector, for 12 V as shown below.



**Figure 4: Jumper Configuration for 12/24 VDC Power**

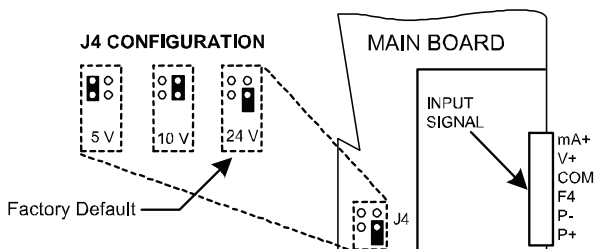
## Transmitter Supply Voltage Selection (P+, P-)

All meters, including models equipped with the 12/24 VDC power option, are shipped from the factory configured to provide 24 VDC power for the transmitter or sensor.

If the transmitter requires 5 or 10 VDC excitation, the internal jumper J4 must be configured accordingly.

To access the voltage selection jumper:

1. Remove all the connectors.
2. Unscrew the back cover.
3. Slide the back cover about 1 inch.
4. Configure the J4 jumper, located behind the input signal connector, for the desired excitation voltage as shown.



**Figure 5: Transmitter Supply Voltage Selection**

## Connections

All connections are made to removable screw terminal connectors located at the rear of the meter.



**Caution!**

*Use copper wire with 60°C or 60/75°C insulation for all line voltage connections. Observe all safety regulations. Electrical wiring should be performed in accordance with all applicable national, state, and local codes to prevent damage to the meter and ensure personnel safety.*

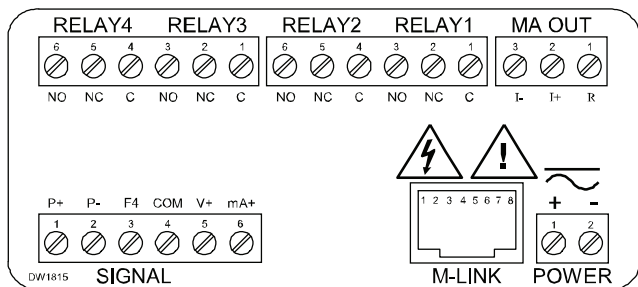
## Connectors Labeling

The connectors' label, affixed to the meter, shows the location of all connectors available with requested configuration.



**Warning!**

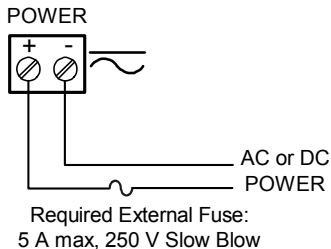
***Do not connect any equipment other than Dwyer Instruments, Inc.'s expansion modules, cables, or meters to the RJ45 M-LINK connector. Otherwise damage will occur to the equipment and the meter.***



**Figure 6: Connector Labeling for Fully Loaded APM**

## Power Connections

Power connections are made to a two-terminal connector labeled POWER on Figure 6. The meter will operate regardless of DC polarity connection. The + and - symbols are only a suggested wiring convention.



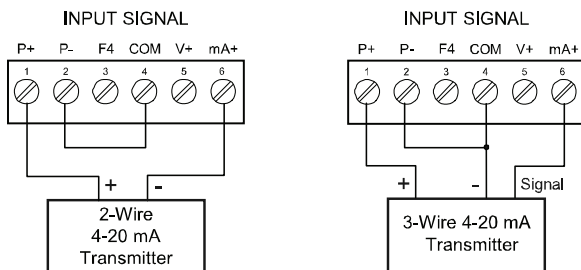
**Figure 7: Power Connections**

## Signal Connections

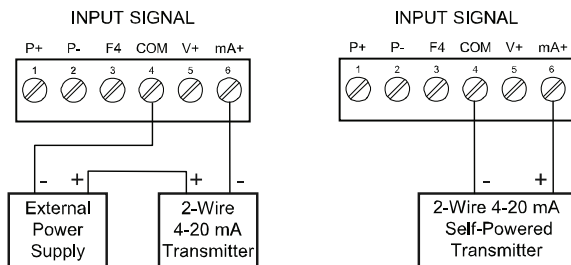
Signal connections are made to a six-terminal connector labeled SIGNAL on Figure 6. The COM (common) terminal is the return for the 4-20 mA and the  $\pm 10$  V input signals.

### Current and Voltage Connections

The following figures show examples of current and voltage connections. There are no switches or jumpers to set up for current and voltage inputs. Setup and programming is performed through the front panel buttons.



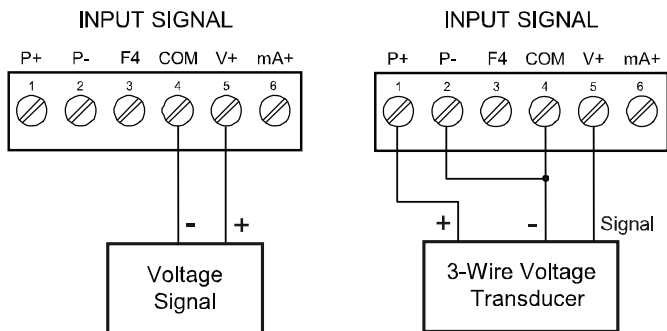
**Figure 8: Transmitter Powered by Internal Supply**



**Figure 9: Transmitter Powered by Ext. Supply or Self-Powered**

The current input is protected against current overload by a resettable fuse. The display may or may not show a fault condition depending on the nature of the overload.

The fuse limits the current to a safe level when it detects a fault condition, and automatically resets itself when the fault condition is removed.



**Figure 10: Voltage Input Connections**

The meter is capable of accepting any voltage from -10 VDC to +10 VDC.

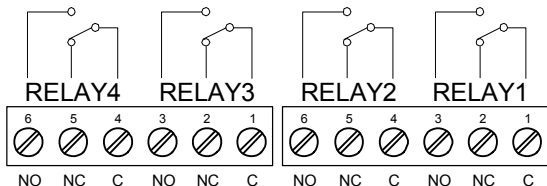
### Modbus RTU Serial Communications

Serial communications connection is made to an RJ45 connector labeled M-LINK on Figure 6. For interfacing to the APM, use the PMA-01 for RS-232, or the PMA-03 for RS-485. The same port is used for interfacing with all expansion modules (e.g. external relays, digital I/O).

Use the PMA-02 meter copy cable for meter-to-meter interfacing for cloning purposes (i.e. copying settings from one meter to other meters).

### Relay Connections

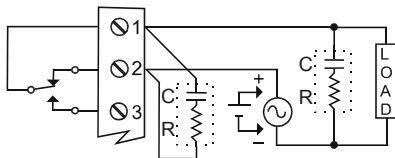
Relay connections are made to two six-terminal connectors labeled RELAY1 – RELAY4 on Figure 6. Each relay's C terminal is common only to the normally open (NO) and normally closed (NC) contacts of the corresponding relay. The relays' C terminals should not be confused with the COM (common) terminal of the INPUT SIGNAL connector.



**Figure 11: Relay Connections**

## Switching Inductive Loads

The use of suppressors (snubbers) is strongly recommended when switching inductive loads to prevent disrupting the microprocessor's operation. The suppressors also prolong the life of the relay contacts. Suppression can be obtained with resistor-capacitor (RC) networks assembled by the user or purchased as complete assemblies. Refer to the following circuits for RC network assembly and installation:



**Figure 12: AC and DC Loads Protection**

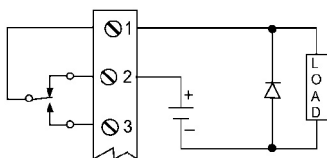
Choose R and C as follows:

R: 0.5 to 1  $\Omega$  for each volt across the contacts

C: 0.5 to 1  $\mu\text{F}$  for each amp through closed contacts

Notes:

1. Use capacitors rated for 250 VAC.
2. RC networks may affect load release time of solenoid loads. Check to confirm proper operation.
3. Install the RC network at the meter's relay screw terminals. An RC network may also be installed across the load. Experiment for best results.



Use a diode with a reverse breakdown voltage two to three times the circuit voltage and forward current at least as large as the load current.

**Figure 13: Low Voltage DC Loads Protection**

### RC Networks Available from Dwyer Instruments, Inc.

RC networks are available from Dwyer Instruments, Inc. and should be applied to each relay contact switching an inductive load. Part number: PMA-13.

*Note: Relays are de-rated to 1/14th HP (50 watts) with an inductive load.*

### F4 Digital Input Connections

A digital input, F4, is standard on the meter. This digital input is connected with a normally open contact across F4 and COM, or with an active low signal applied to F4.

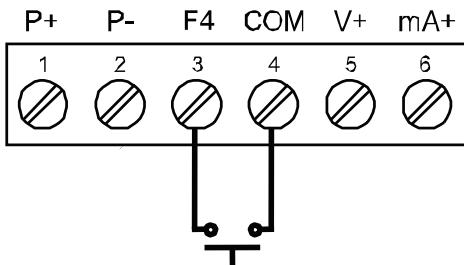


Figure 14: F4 Digital Input Connections

### 4-20 mA Output Connections

Connections for the 4-20 mA transmitter output are made to the connector terminals labeled MA OUT. The 4-20 mA output may be powered internally or from an external power supply.

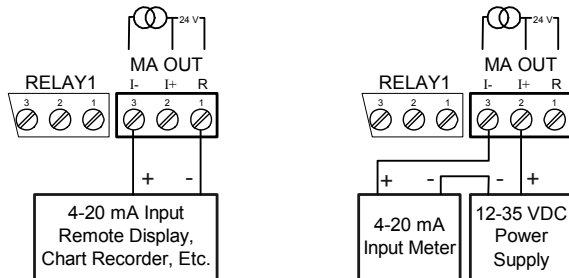


Figure 15: 4-20 mA Output Connections

### Analog Output Transmitter Power Supply

The internal 24 VDC power supply powering the analog output may be used to power other devices, if the analog output is not used. The I+ terminal is the +24 V and the R terminal is the return.



### External Relay & Digital I/O Connections

The relay and the digital I/O expansion modules PMA-11 & PMA-12 are connected to the meter using a CAT5 cable provided with each module. The two RJ45 connectors on the expansion modules are identical and interchangeable; they are used to connect additional modules to the system.

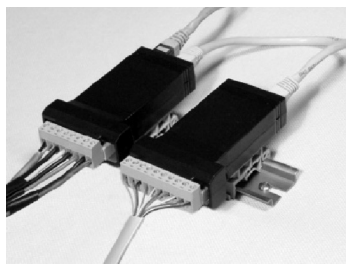
*Note: The jumper located between the RJ45 connectors of the PMA-12 must be removed on the second digital I/O module in order for the system to recognize it as module #2.*



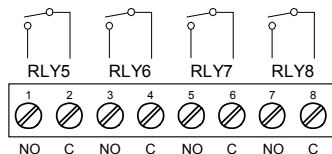
**Warning!**

***Do not connect or disconnect the expansion modules with the power on!***

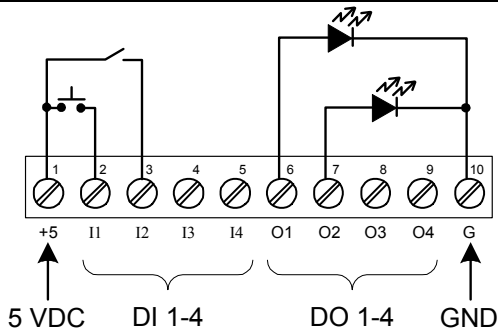
***More detailed instructions are provided with each optional expansion module.***



**Figure 16: Expansion Modules & DIN Rail Mounting Kit**



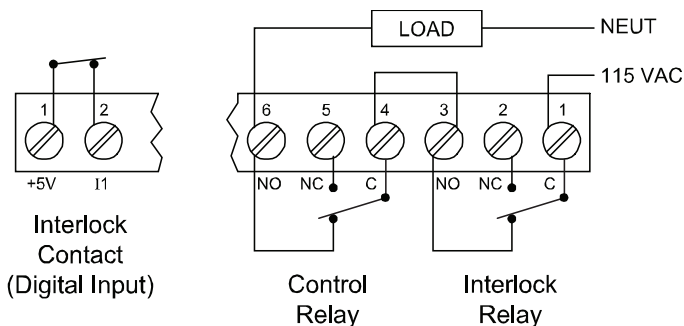
**Figure 17: External Relays Module Connections**



**Figure 18: Digital I/O Module Connections**

### Interlock Relay Feature

As the name implies, the interlock relay feature reassigns one, or more, alarm/control relays for use as interlock relay(s). Interlock contact(s) are wired to digital input(s) and trigger the interlock relay. This feature is enabled by configuring the relay, and relative digital input(s) (see page 64). In one example, dry interlock contacts are connected in series to one digital input which will be used to force on (energize) the assigned interlock power relay when all interlock contacts are closed (safe). The interlock relay front panel LED flashes when locked out. The interlock relay would be wired in-series with the load (N/O contact). See below.



**Figure 19. Interlock Connection**

## SETUP AND PROGRAMMING

The meter is factory calibrated prior to shipment to read in milliamps and volts depending on the input selection. The calibration equipment is certified to NIST standards.

### Overview

There are no jumpers to set for the meter input selection. Setup and programming is done through the front panel buttons. After power and input signal connections have been completed and verified, apply power to the meter.

## Front Panel Buttons and Status LED Indicators



Button	Description
	<b>Menu</b>
	<b>Right arrow/F1</b>
	<b>Up arrow/F2</b>
	<b>Enter/F3</b>
<p><i>Note:</i> F4 is a digital input. Alarms 5-8 are enabled when relay expansion module is installed.</p>	

LED	Status
1-8	Alarm 1 – 8 indicators. Flashing with M Indicates Manual Control Mode
R	Rate indicator
T	Total indicator or Flashing: Tare
G T	Grand Total indicator
▲	Total overflow indicator
M	Flashing: Manual control of flashing relays. M flashing alone indicates manual analog output. <i>Indicators flash every 10 seconds.</i>

- Press the Menu button to enter or exit the Programming Mode at any time.
- Press the Right arrow button to move to the next digit during digit or decimal point programming.
- Press or hold the Up arrow button to scroll through the menus, decimal point, or to increment the value of a digit.
- Press the Enter button to access a menu or to accept a setting.
- Press and hold the Menu button for three seconds to access the advanced features of the meter.

## Display Functions and Messages

The meter displays various functions and messages during setup, programming, and operation. The following table shows the main menu functions and messages in the order they appear in the menu.

Display	Parameter	Action/Setting Description
SETUP	Setup	Enter Setup menu
INPUT	Input	Enter Input selection menu
mA	4-20 mA	Set meter for 4-20 mA input
VDC	0-10 VDC	Set meter for $\pm 10$ VDC input
TOTAL	Total	Enable or disable totalizer features
d-SCAL	Dual-scale	Enter d-SCAL menu and select Yes for dual-scale or No for single scale display
UNITS	Units	Select the display units/tags
RATE	Rate	Select the display units for rate
TOTAL	Total	Select the display units for total
GRAND TOTAL	Grand Total	Select the display units for grand total
DEC PT	Decimal point	Set decimal point for rate, total, grand total
PROG	Program	Enter the Program menu
INCAL	Input Calibration	Enter the Input Calibration menu
SCALE	Scale	Enter the Scale menu
CAL	Calibrate	Enter the Calibrate menu
INP 1	Input 1	Calibrate input 1 signal or program input 1 value
DIS 1	Display 1	Program display 1 value
INP 2	Input 2	Calibrate input 2 signal or program input 2 value (up to 32 points)
DIS 2	Display 2	Program display 2 value (up to 32 points)
Error	Error	Error, calibration not successful, check signal or programmed value
ttb	Total time base	Program total time base

ⓧ CF	<i>Total conversion factor</i>	Program total conversion factor
ⓧ rSE	<i>Total reset</i>	Program total rest mode: auto or manual
ⓧⓧ tB	<i>Grand total time base</i>	Program grand total time base
ⓧⓧ CF	<i>Grand total conversion factor</i>	Program grand total conversion factor
ⓧⓧ rSE	<i>Grand total reset</i>	Program grand total rest mode: auto or manual
RuTo	<i>Automatic</i>	Press Enter to set automatic total reset
ⓧ dLY	<i>Time delay</i>	Program time delay for total auto reset
ⓧⓧ Rn	<i>Manual</i>	Press Enter to reset total manually
dSPLY	<i>Display</i>	Enter the <i>Display</i> menu
b U	<i>Upper display</i>	Press Enter to assign the Upper display parameter (default: PV or rate)
L LLE	<i>Lower display</i>	Press Enter to assign the lower display parameter (default: total)
d- intY	<i>Display intensity</i>	Set display intensity level from 1 to 8
rELAY	<i>Relay</i>	Enter the <i>Relay</i> menu
RSS n	<i>Assignment</i>	Assign relays to rate, total, or grand total
RS n 1	<i>Assign 1</i>	Relay 1 assignment
totRL	<i>Total</i>	Assign relay to total
ⓧ totRL	<i>Grand total</i>	Assign relay to grand total
ⓧⓧ bS	<i>Modbus</i>	Select to display Modbus input or to assign Modbus input as the analog output source
rRE	<i>Rate</i>	Assign relay to rate
rLY 1	<i>Relay 1</i>	Relay 1 setup
Rct 1	<i>Action 1</i>	Set relay 1 action
RuTo	<i>Automatic</i>	Set relay for automatic reset
R-ⓧⓧ Rn	<i>Auto-manual</i>	Set relay for automatic & manual reset any time

<i>LRLCH</i>	<i>Latching</i>	Set relay for latching operation (relays assigned to rate)
<i>Lt-CLr</i>	<i>Latching-cleared</i>	Set relay for latching operation with manual reset only after alarm condition has cleared (relays assigned to rate)
<i>RLERn</i>	<i>Alternate</i>	Set relay for pump alternation control (relays assigned to rate)
<i>SRnPL</i>	<i>Sampling</i>	Set relay for sampling operation
<i>OFF</i>	<i>Off</i>	Disable relay and front panel status LED (Select Off to enable Interlock feature)
<i>SEt 1</i>	<i>Set 1</i>	Program set point 1
<i>rSE 1</i>	<i>Reset 1</i>	Program reset point 1
<i>rLY 2</i>	<i>Relay 2</i>	Relays 2-8 setup <i>Note: Relays 5-8 are shown, only if expansion relay module is installed.</i>
<i>FRILSF</i>	<i>Fail-safe</i>	Enter <i>Fail-safe</i> menu
<i>FLS 1</i>	<i>Fail-safe 1</i>	Set relay 1 fail-safe operation
<i>on</i>	<i>On</i>	Enable fail-safe operation
<i>oFF</i>	<i>Fail-safe off</i>	Disable fail-safe operation
<i>dELAY</i>	<i>Delay</i>	Enter relay <i>Time Delay</i> menu
<i>dLY 1</i>	<i>Delay 1</i>	Enter relay 1 time delay setup
<i>On 1</i>	<i>On</i>	Set relay 1 On time delay
<i>OFF 1</i>	<i>Off</i>	Set relay 1 Off time delay
<i>brERH</i>	<i>Loop break</i>	Set relay condition if loop break detected (For mA input only)
<i>Ignore</i>	<i>Ignore</i>	Ignore loop break condition (Processed as a low signal condition)
<i>On</i>	<i>On</i>	Relay goes to alarm condition when loop break is detected
<i>OFF</i>	<i>Off</i>	Relay goes to non-alarm condition when loop break is detected
<i>Route</i>	<i>Analog output</i>	Enter the <i>Analog output</i> scaling menu
<i>dIS 1</i>	<i>Display 1</i>	Program display 1 value
<i>Out 1</i>	<i>Output 1</i>	Program output 1 value (e.g. 4.000 mA)
<i>dIS 2</i>	<i>Display 2</i>	Program display 2 value

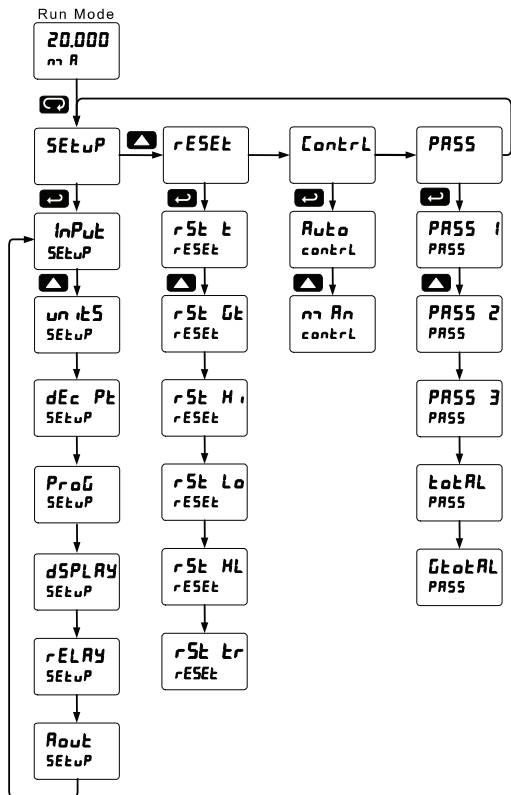
Output 2	<i>Output 2</i>	Program output 2 value (e.g. 20.000 mA)
RESET	<i>Reset</i>	Press Enter to access the <i>Reset</i> menu
RESET GT	<i>Reset grand total</i>	Press Enter to reset grand total
RESET HI	<i>Reset high</i>	Press Enter to reset max display
RESET LO	<i>Reset low</i>	Press Enter to reset min display
RESET HL	<i>Reset high &amp; low</i>	Press Enter to reset max & min displays
RESET T	<i>Reset total</i>	Press Enter to reset total
RESET TR	<i>Reset tare</i>	Reset tare (Used when <i>LOTRL</i> is <i>no</i> only)
CONTROL	<i>Control</i>	Enter <i>Control</i> menu
AUTO	<i>Automatic</i>	Press Enter to set relays and analog output for automatic operation
MAN	<i>Manual</i>	Press Enter to manually control relays or analog output operation
PASS	<i>Password</i>	Enter the <i>Password</i> menu
PASS 1	<i>Password 1</i>	Set or enter Password 1
PASS 2	<i>Password 2</i>	Set or enter Password 2
PASS 3	<i>Password 3</i>	Set or enter Password 3
LOTRL	<i>Total password</i>	Set or enter password for manual reset
GTOTRL	<i>Grand total password</i>	Set or enter password for manual reset
NONRESET	<i>Non-resettable</i>	Non-resettable grand total set after entering "050873" for Gtotal password
UNLOC	<i>Unlocked</i>	Program password to lock meter
LOCd	<i>Locked</i>	Enter password to unlock meter
999999 -999999	<i>Flashing display</i>	Overrange condition Underrange condition



## Main Menu

The main menu consists of the most commonly used functions: *Reset*, *Control*, *Setup*, and *Password*.

- Press Menu button to enter Programming Mode, then press the Up arrow button to scroll main menu.



- Press Menu, at any time, to exit and return to Run Mode. Changes made to settings prior to pressing Enter are not saved.
- Changes to the settings are saved to memory only after pressing Enter/F3.
- The display moves to the next menu every time a setting is accepted by pressing Enter/F3.

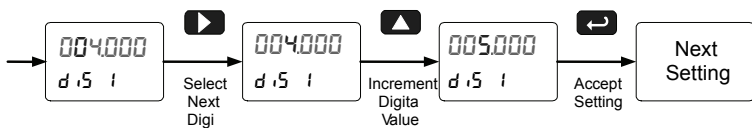
## Setting Numeric Values

The numeric values are set using the Right and Up arrow buttons. Press Right arrow to select next digit and Up arrow to increment digit value.

The digit being changed is displayed brighter than the rest.

Press and hold up arrow to auto-increment the display value.

Press the Enter button, at any time, to accept a setting or Menu button to exit without saving changes.

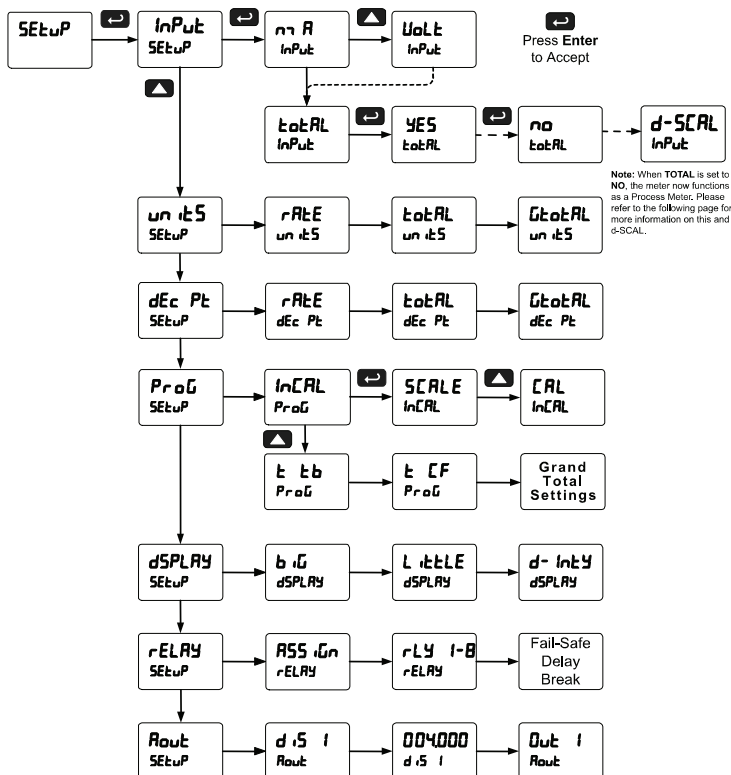


## Setting Up the Rate/Totalizer Meter (SEtUP)

The *Setup* menu is used to select:

1. Input signal the meter will accept and enable totalizer features
2. Select the display units/tags
3. Select the decimal point position
4. Meter programming & input calibration
5. Display parameter and intensity
6. Relay operation
7. 4-20 mA analog output scaling

Press the Enter button to access any menu or press Up arrow button to scroll through choices. Press the Menu button to exit at any time.



### Setting the Input Signal ( *Input* )

Enter the *Input* menu to set up the meter to display current ( *mA* ) or voltage ( *VDC* ) inputs.

The current input is capable of accepting any signal from 0 to 20 mA. Select current input to accept 0-20 mA or 4-20 mA signals.

The voltage input is capable of accepting any signal from -10 to +10 VDC. Select voltage input to accept 0-5, 1-5, 0-10, or  $\pm 10$  VDC signals.

### Setting the Totalizer Features ( *Total* )

To simply not display the total, select alternative display parameters in the display ( *Display* ) menu.

Enable or disable the totalizer features by selecting “*YES*” or “*no*” after the input type has been set up. If the totalizer features are disabled, all the totalizer features and functions are hidden from the menus. Level and process meter features and functions are added to the menus.

If disabling the *Total* parameter by selecting *no*, please refer to the MPM manual available at [www.dwyer-inst.com](http://www.dwyer-inst.com) for instructions on setting up the meter parameters.

*Notes:* 1. *The totalizer continues working in the background.*

2. *When selecting “no” for Total, the meter now functions as a MPM Process Meter. We **strongly** suggest that you download and use the MPM instruction manual from our website ([www.dwyer-inst.com](http://www.dwyer-inst.com)) while in this mode of operation.*

### Setting the Input Units or Custom Tags (UNIT5)

Enter the input unit or custom tag that will be displayed if alternating rate, total, or grand total and units is selected in the UNIT5 menu, or d UNIT is selected as the lower display parameter. See the flow chart on page 44 to access the display menu to show the unit or tag on the lower display. The engineering units or custom legends can be set using the following 7-segment character set:

Display	Character
0	0
1	1
2	2
3	3
4	4
5	5
6	6
7	7
8	8
9	9
A	A
b	b
C	C
c	c
d	d
E	E
F	F
G	G
g	g
H	H
h	h
I	I
i	i
J	J

Display	Character
K	K
L	L
m	m
n	n
O	O
o	o
P	P
q	q
r	r
S	S
t	t
u	u
V	V
w	w
X	X
Y	Y
Z	Z
-	-
/	/
]	]
[	[
=	=
Degree(<)	Degree(<)
Space	Space

Notes:

Degree symbol represented by (<) if programming with Panel Meter Pro.

The letters "m" and "w" use two 7-segment LEDs each; when selected the characters to the right are shifted one position.

Press and hold up arrow to auto-scroll the characters in the display.

## Setting the Decimal Point ( $dE_c$ $Pt$ )

The decimal point may be set with up to five decimal places or with no decimal point at all. The rate, total, and grand total decimal points are independent.

Pressing the Right arrow moves the decimal point one place to the right until no decimal point is displayed then it moves to the leftmost position. Pressing the Up arrow moves the decimal point one place to the left.

## Programming the Rate/Totalizer ( $Prog$ )

It is **very important** to read the following information, before proceeding to program the meter:

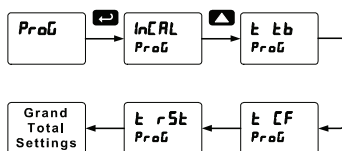
- The meter is factory calibrated prior to shipment to read in milliamps and volts depending on the input selection. The calibration equipment is certified to NIST standards.
- Use the *Scale* menu to scale process inputs (e.g. 4-20 mA). A calibrated signal source is not needed to scale the meter.
- Use the *Calibrate* menu to apply a signal from a calibrator or a flowmeter.

The *Program* menu contains the following menus:

1. Scale without a signal source
2. Calibrate with a calibrated signal source
3. Total time base & conversion factor
4. Grand total time base & conversion factor
5. Total reset mode for total & grand total

*Note: The Scale and Calibrate functions are exclusive of each other. The meter uses the last function programmed. Only one of these methods can be employed at a time. The Scale and Calibrate functions can use up to 32 points (default is 2). The number of points should be set in the Advanced menu under the **Multi-Point Linearization (L inEAr)** menu selection prior to scaling and calibration of the meter, see page 76 for details.*

The process input may be calibrated or scaled to any display value within the range of the meter.



Additional parameters, not needed for most applications, are programmed in the *Advanced Features* menu; see *Advanced Features Menu*, page 69.

### Multi-Point Calibration & Scaling

The meter is set up at the factory for 2-point linear calibration. The number of points for multi-point calibration/scaling is set up in the *Advanced Features* menu. Up to 32 linearization points may be selected. See page 76 for details.

### Panel Meter Pro Software

The meter can also be programmed using the PC-based Panel Meter Pro software available for free download at [www.dwyer-inst.com](http://www.dwyer-inst.com).

Data logging for one meter at a time is available with Panel Meter Pro software. More advanced data acquisition may be accomplished by using any Modbus RTU compliant software.

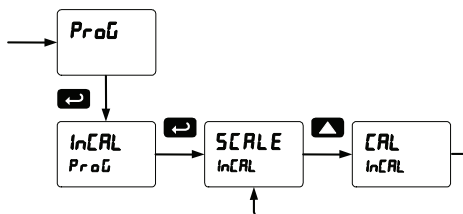
In order to program the meter using a computer, the meter must be connected using a USB, RS-232 or RS-485 serial adapter, see *Ordering Information* on page 7 for details.

### Input Calibration Method (InCAL)

There are two methods of calibrating (or scaling) the display to show the correct engineering units.

- Use the *Scale* menu to enter the scaling without a signal source.
- Use the *Calibrate* menu to apply a signal from a signal source.

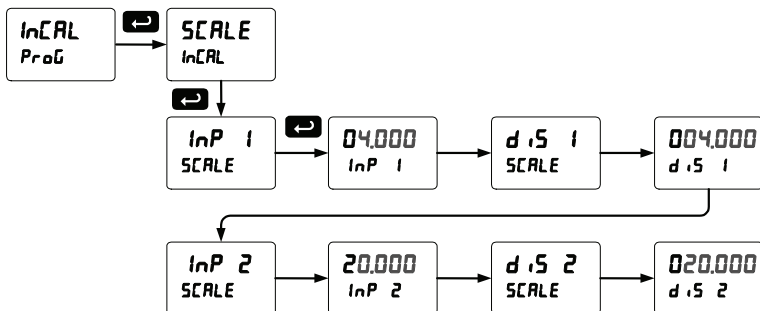
*Note: The Scale and Calibrate functions are exclusive of each other. The meter uses the last function programmed. Only one of these methods can be employed at a time. The Scale and Calibrate functions can use up to 32 points (default is 2). The number of points should be set in Scale and Calibrate accordingly under the Number of Points (nPt5) menu selection prior to scaling and calibration of the meter, see page 76 for details.*



### Scaling the Meter (SCALE)

The process inputs (4-20 mA and  $\pm 10$  VDC) can be scaled to display the process variable in engineering units.

A signal source is not needed to scale the meter; simply program the inputs and corresponding display values.



For instructions on how to program numeric values see *Setting Numeric Values*, page 34.

### Error Message (Error)

An error message indicates that the calibration or scaling process was not successful.

After the error message is displayed, the meter reverts to the input prior to the failure during calibration or scaling and to input 1 during internal calibration, allowing the appropriate input signal to be applied or programmed.

The error message might be caused by any of the following conditions:

1. Input signal is not connected to the proper terminals or it is connected backwards.
2. Wrong signal selection in *Setup* menu.
3. Minimum input span requirements not maintained.
4. Input 1 signal inadvertently applied to calibrate input 2.



### Minimum Input Span

The minimum input span is the minimum difference between input 1 and input 2 signals required to complete the calibration or scaling of the meter.

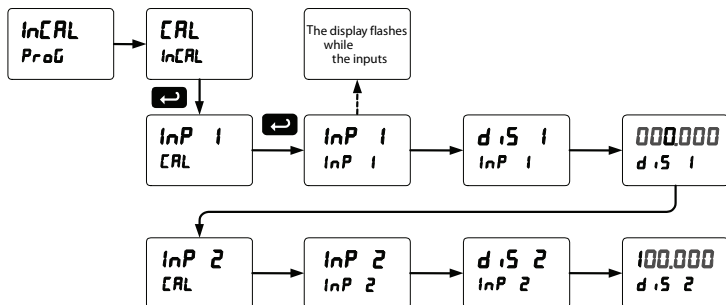
Input range	Input 1 & input 2 span
4-20 mA	0.15 mA
$\pm 10$ VDC	0.10 VDC

### Calibrating the Meter with External Source (CAL)

To scale the meter without a signal source refer to Scaling the Meter (SCALE) page 40.

The meter can be calibrated to display the process variable in engineering units by applying the appropriate input signal and following the calibration procedure.

The use of a calibrated signal source is strongly recommended to calibrate the meter.

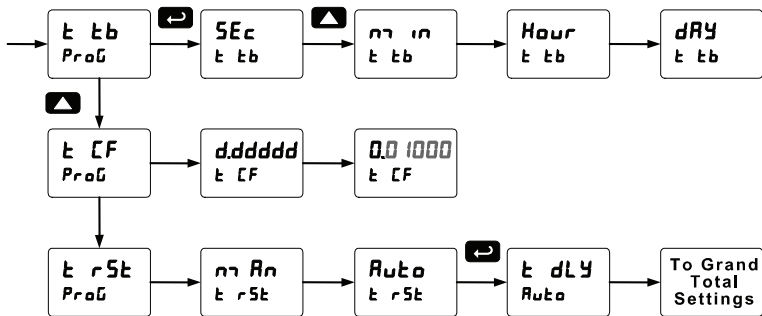


*Warm up the meter for at least 15 minutes before performing calibration to ensure specified accuracy.*

### Time Base, Total Conversion Factor & Total Reset

The time base, total conversion factor, and total reset menus are located in the *Program* menu.

The total and grand total have their own independent settings. This means that one can be displaying the value in gallons while the other displays in million gallons, liters, m<sup>3</sup>, etc.



### Total & Grand Total Reset

The totals can be programmed for manual or automatic reset. In the automatic reset mode, a programmable time delay is available to reset the total or grand total after the assigned preset is reached.

### Non-Resettable Totalizer

The total and grand total can be password-protected to prevent unauthorized resets. The grand total can be programmed as a non-resettable total, see page 67 for details.

**Setting the Display Parameter & Intensity (dSPLRy)**

The upper display (b iū) can be programmed to display:

1. Rate value
2. Total or grand total
3. Toggle rate/total
4. Toggle rate/G-total
5. Relay set points
6. Toggle rate and units
7. Toggle total and units
8. Toggle grand total and units
9. Max, min, or max & min values
10. Modbus input

The lower display (L iēēē) can be programmed to display:

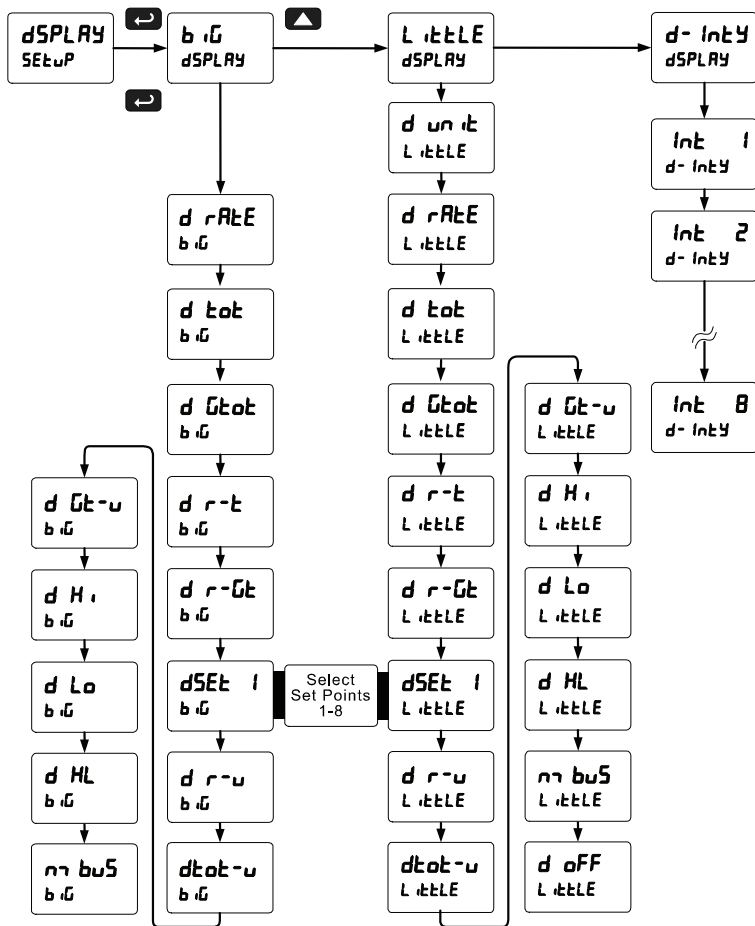
1. Engineering units or custom legends for the upper display
2. Rate value
3. Total or grand total
4. Toggle rate/total
5. Toggle rate/G-total
6. Relay set points
7. Toggle rate and units
8. Toggle total and units
9. Toggle grand total and units
10. Max, min, or max & min values
11. Modbus input
12. Off (no display)

Selecting engineering units or custom legends as the lower display (d un iē) will display the unit or tag selected for the rate, total, or grand total displayed in the Upper display.

For example, if the upper display is set to tōēRL, selecting d un iē to display on the lower display will have the total appear on the upper display, and the total unit appear on the lower display.

Display Intensity: The meter has eight display intensity levels to give the best performance under various lighting conditions. Select intensity 8 for outdoor applications. The default intensity setting is 8.

## Display Setup Menu



After setting up the input and the display, press the Menu button to exit programming and skip the rest of the setup menu. Press the Menu button again and the Up arrow to reach the *Program* menu and complete the scaling or calibration of the meter.

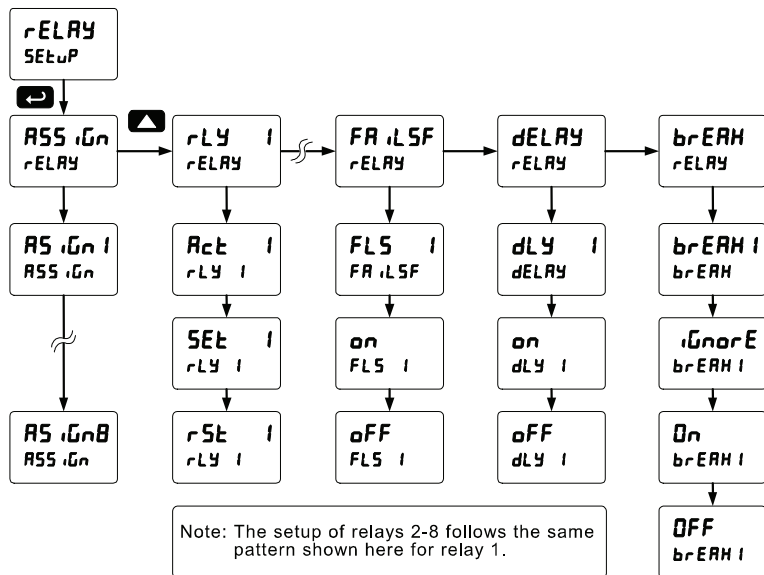
## Setting the Relay Operation (rELAY)

This menu is used to set up the operation of the relays.



**CAUTION!** *During setup, the relays do not follow the input and they will remain in the state found prior to entering the Relay menu.*

1. Relay assignment
  - a. Rate for low and high alarm
  - b. Total
  - c. Grand total
  - d. Modbus input process variable
2. Relay action
  - a. Automatic reset only (non-latching)
  - b. Automatic + manual reset at any time (non-latching)
  - c. Latching (manual reset only)
  - d. Latching with Clear (manual reset only after alarm condition has cleared)
  - e. Pump alternation control (automatic reset only)
  - f. Sampling (the relay is activated for a user-specified time)
  - g. Off (relay state controlled by Interlock feature)
3. Set and reset points
4. Fail-safe operation
  - a. On (enabled)
  - b. Off (disabled)
5. Time delay
  - a. On delay (0-999.9 seconds)
  - b. Off delay (0-999.9 seconds)
6. Relay action for loss (break) of 4-20 mA input (ignore, on, off)



### Relay Assignment (ASSIGN)

The relays can be assigned to any of the following parameters:

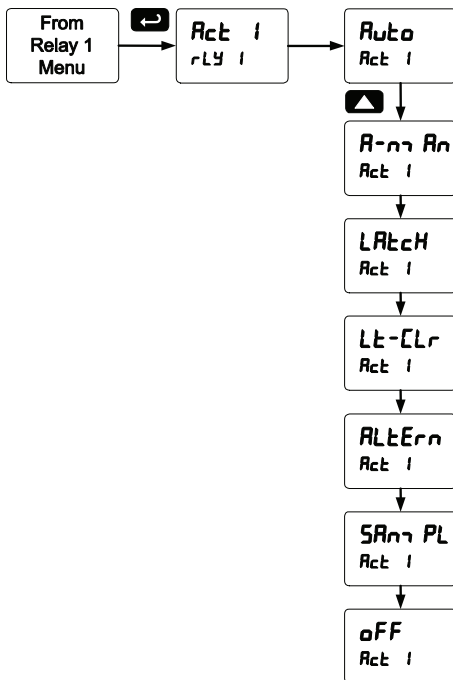
1. Rate for low or high alarm indication
2. Total for alarm indication
3. Grand total for alarm indication
4. Modbus input process variable

## Setting the Relay Action

Operation of the relays is programmed in the *Action* menu. The relays may be set up for any of the following modes of operation:

1. Automatic reset (non-latching)
2. Automatic + manual reset at any time (non-latching)
3. Latching (manual reset only, at any time)
4. Latching with Clear (manual reset only after alarm condition has cleared)
5. Pump alternation control (automatic reset only)
6. Sampling (the relay is activated for a user-specified time)
7. Off (relay state controlled by Interlock feature)

The following graphic shows relay 1 action setup; relay 2-8 are set up in a similar fashion.



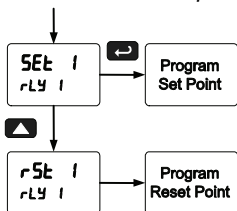
## Programming Set and Reset Points

High alarm indication: program set point above reset point.

Low alarm indication: program set point below reset point.

The deadband is determined by the difference between set and reset points. Minimum deadband is one display count. If the set and reset points are programmed with the same value, the relay will reset one count below the set point.

*Note: Changes are not saved until the reset point has been accepted.*



## Setting Fail-Safe Operation

In fail-safe mode of operation, the relay coil is energized when the process variable is within safe limits and the relay coil is de-energized when the alarm condition exists. The fail-safe operation is set independently for each relay. Select **on** to enable or select **oFF** to disable fail-safe operation.

## Programming Time Delay

The *On* and *Off* time delays may be programmed for each relay between 0 and 999.9 seconds. The relays will transfer only after the condition has been maintained for the corresponding time delay.

The *On* time delay is associated with the set point.

The *Off* time delay is associated with the reset point.

## Relay Action for Loss of 4-20 mA Input (Loop Break)

The loop break feature is associated with the 4-20 mA input. Each relay may be programmed to go to one of the following conditions when the meter detects the loss of the input signal (i.e. < 0.005 mA):

1. Turn *On* (Go to alarm condition)
2. Turn *Off* (Go to non-alarm condition)
3. Ignore (Process as a low signal condition)

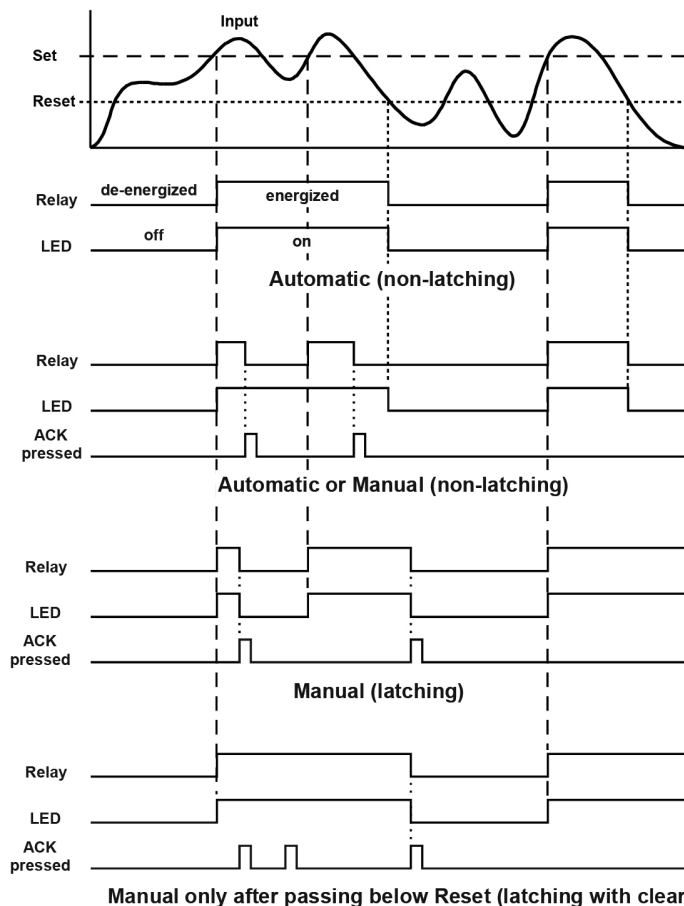
*Note: This is not a true loop break condition; if the signal drops below 0.005 mA, it is interpreted as a "loop break" condition.*



## Relay and Alarm Operation Diagrams

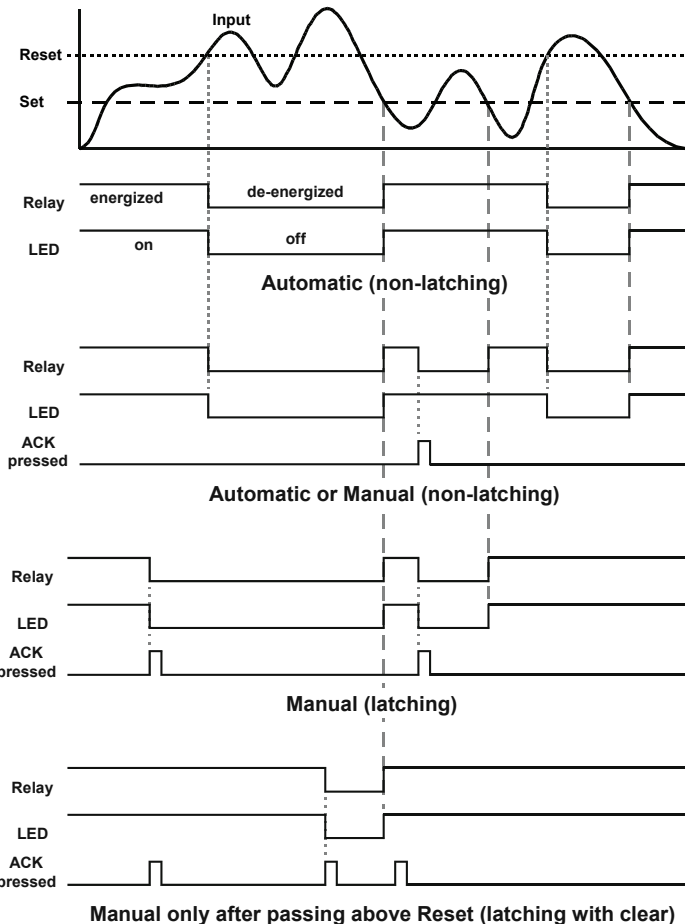
The following graphs illustrate the operation of the relays, status LEDs, and ACK button.

### High Alarm Operation (Set > Reset)



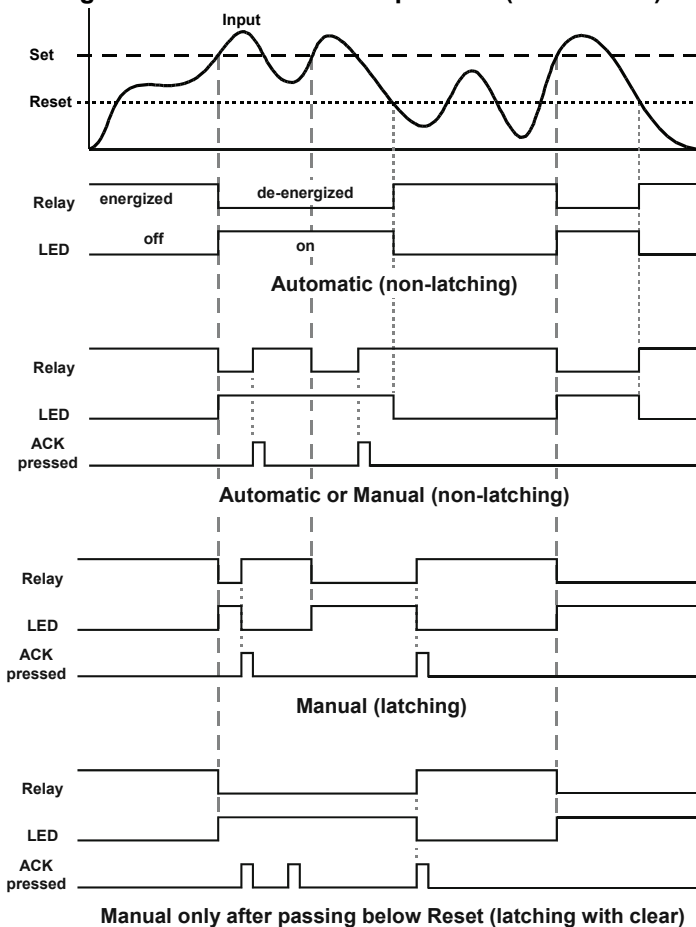
For Manual reset mode, ACK can be pressed anytime to turn "off" relay. To detect a new alarm condition, the signal must go below the set point, and then go above it.

### Low Alarm Operation (Set < Reset)



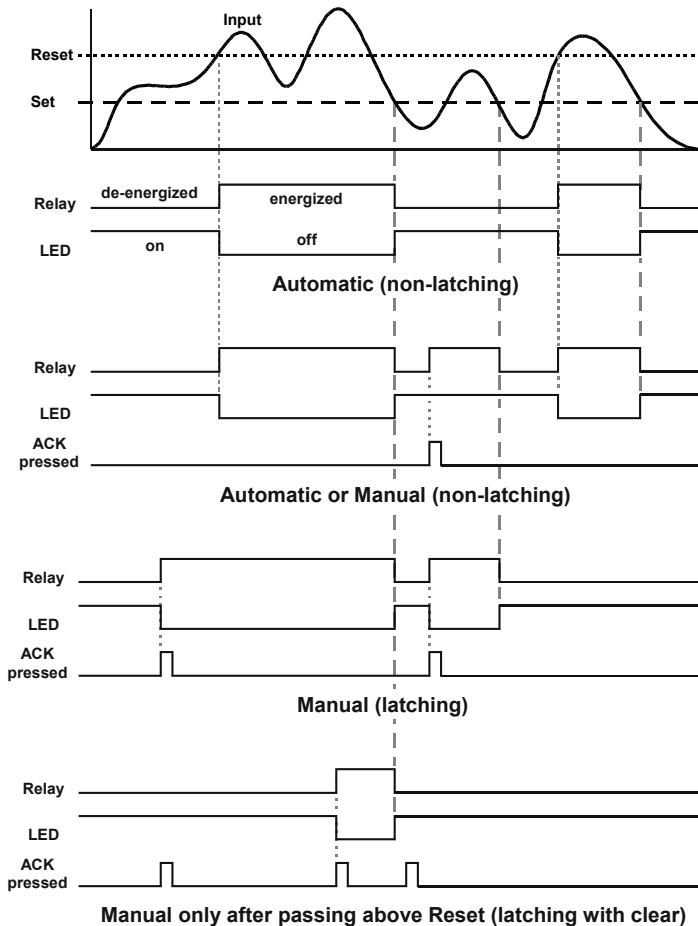
For Manual reset mode, ACK can be pressed anytime to turn "off" relay. For relay to turn back "on", signal must go above set point and then go below it.

### High Alarm with Fail-Safe Operation (Set > Reset)



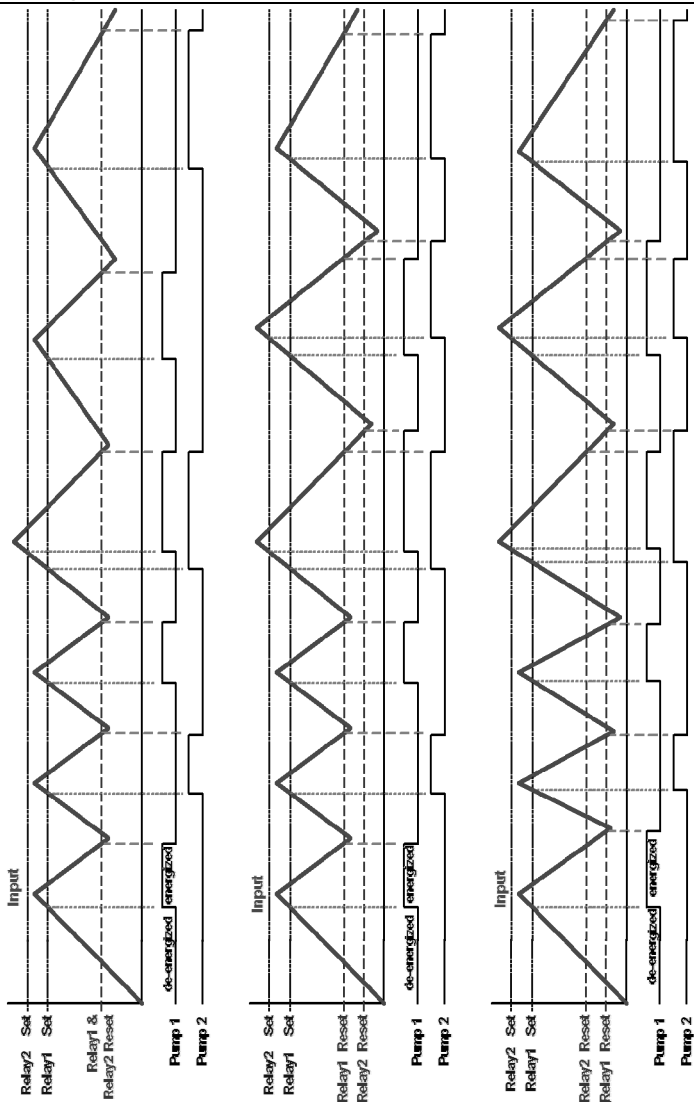
*Note: Relay coil is energized in non-alarm condition.  
In case of power failure, relay will go to alarm state.*

### Low Alarm with Fail-Safe Operation (Set < Reset)



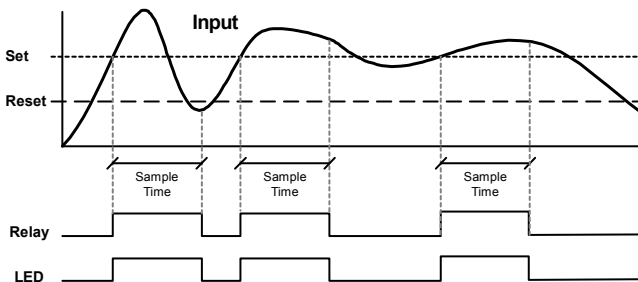
*Note: Relay coil is energized in non-alarm condition.  
In case of power failure, relay will go to alarm state.*

## Pump Alternation Control Operation



LEDs indicate the relay status

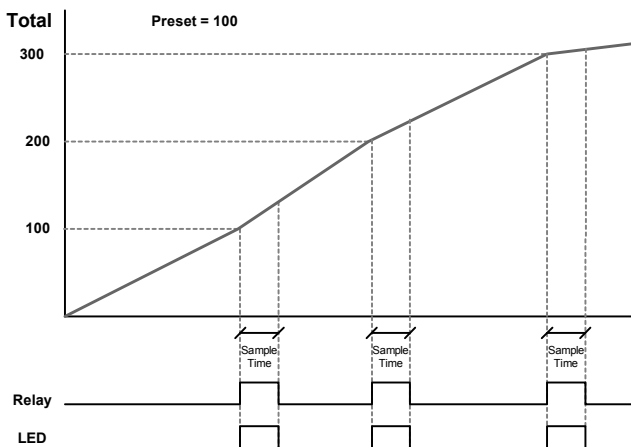
## Rate Relay Sampling Operation



When the signal crosses the set point, the relay trips and the sample time starts. After the sample time has elapsed, the relay resets. The cycle repeats every time the set point is crossed, going up for high alarms and going down for low alarms.

The sample time can be programmed between 0.1 and 5999.9 seconds.

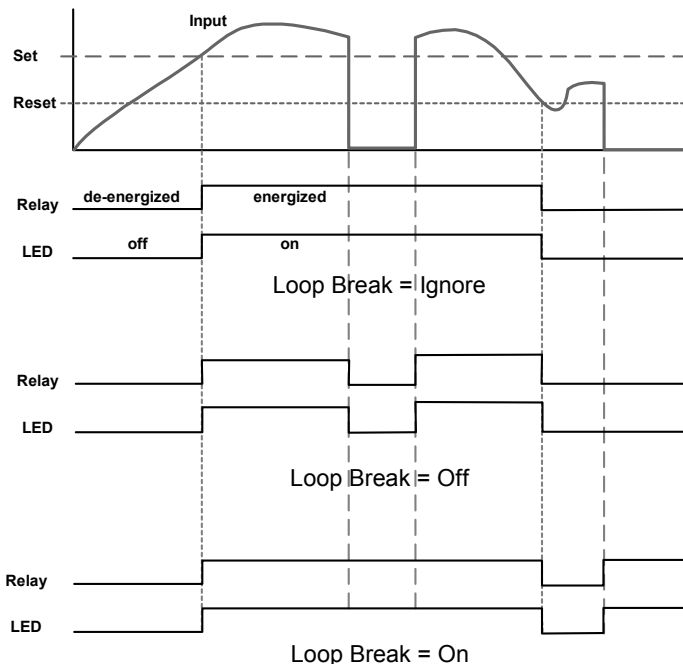
## Total Relay Sampling Operation



When the total reaches the preset, the relay trips and the sample time starts. After the sample time has elapsed, the relay resets. The cycle repeats every time the preset value is added to the total.

## Signal Loss or Loop Break Relay Operation

The following graph shows the loop break operation for a high alarm relay.

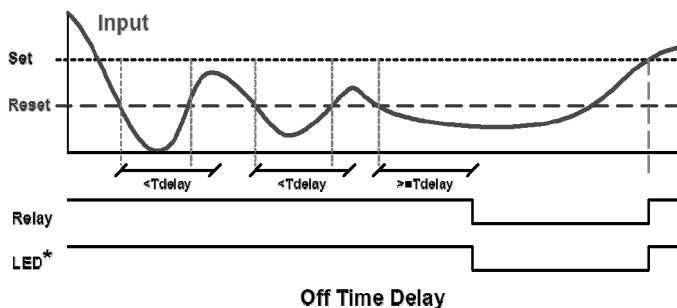
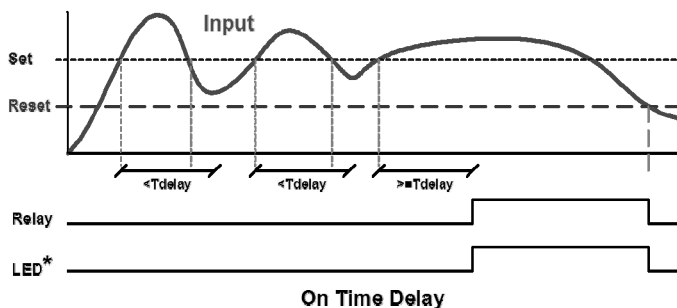


When the meter detects a break in the 4-20 mA loop, the relay will go to one of the following selected actions:

1. Turn on (Go to alarm condition)
2. Turn off (Go to non-alarm condition)
3. Ignore (Process as a low signal condition)

## Time Delay Operation

The following graphs show the operation of the time delay function.



When the signal crosses the set point, the *On* time delay timer starts and the relay trips when the time delay has elapsed. If the signal drops below the set point (high alarm) before the time delay has elapsed, the *On* time delay timer resets and the relay does not change state. The same principle applies to the *Off* time delay.

*Note: If "Automatic or Manual (R-n-Rn)" reset mode is selected, the LED follows the reset point and not the relay state when the relay is acknowledged.*



## Relay Operation Details

### Overview

The relay capabilities of the meter expand its usefulness beyond simple indication to provide users with alarm and control functions. These capabilities include front panel alarm status LEDs as well as either 2 or 4 optional internal relays and/or 4 external relays expansion module.

Typical applications include high or low temperature, level, pressure or flow alarms, control applications such as simple on/off pump control, pump alternation control for up to 8 pumps, and basic batch control.

There are four basic ways the relays can be used:

1. High or Low Alarms with Latching or Non-Latching Relays
2. Simple On/Off Control with 100% Adjustable Deadband
3. Sampling (Based on Time)
4. Pump Alternation Control for up to 8 Pumps

### Relays Auto Initialization

When power is applied to the meter, the front panel LEDs and alarm relays will reflect the state of the input to the meter. The following table indicates how the alarm LEDs and relays will react on power-up based on the set and reset points:

Alarm #	HI or LO Alarm	Set Point	Reset Point	Power-Up Reading	Relay & LED
1	HI	1000	500	499	Off
2	LO	700	900	499	On
3	LO	250	400	499	Off
4	HI	450	200	499	On

### Fail-Safe Operation

The following table indicates how the relays behave based on the fail-safe selection for each relay:

Fail-Safe Selection	Non-Alarm State		Alarm State		Power Failure
	NO	NC	NO	NC	
Off	Open	Closed	Closed	Open	Relays go to non-alarm state
On	Closed	Open	Open	Closed	Relays go to alarm state

*Note: NO = Normally Open, NC = Normally Closed. This refers to the condition of the relay contacts when the power to the meter is off.*

### Front Panel LEDs

The LEDs on the front panel provide status indication for the following:

LED	Status
1	Alarm 1
2	Alarm 2
3	Alarm 3
4	Alarm 4

LED	Status
5	Alarm 5
6	Alarm 6
7	Alarm 7
8	Alarm 8

The meter is supplied with four alarm points that include front panel LEDs to indicate alarm conditions. This standard feature is particularly useful for alarm applications that require visual-only indication. The LEDs are controlled by the set and reset points programmed by the user. When the display reaches a set point for a high or low alarm, the corresponding alarm LED will turn on. When the display returns to the reset point the LED will go off. The front panel LEDs respond differently for latching and non-latching relays.

For non-latching relays, the LED is always off during normal condition and always on during alarm condition, regardless of the state of the relay (e.g. Relay acknowledged after alarm condition).

For latching relays, the alarm LEDs reflect the status of the relays, regardless of the alarm condition. The following tables illustrate how the alarm LEDs function in relation to the relays and the acknowledge button (Default: F3 key assigned to ACK):

### Latching and Non-Latching Relay Operation

The relays can be set up for latching (manual reset) or non-latching (automatic reset) operation.

#### Relay terminology for following tables

Terminology	Relay Condition
On	Alarm (Tripped)
Off	Normal (Reset)
Ack	Acknowledged

The On and Off terminology does not refer to the status of the relay's coil, which depends on the fail-safe mode selected.



**Warning!**

*In latching relay mode, latched relays will reset (unlatch) when power is cycled.*

**Non-Latching Relay (RUKO)****Automatic reset only**

Condition	LED	Relay
Normal	Off	Off
Alarm	On	On
Ack (No effect)	On	On
Normal	Off	Off

In this application, the meter is set up for automatic reset (non-latching relay). Acknowledging the alarm while it is still present has no effect on either the LED or the relay. When the alarm finally goes away, the relay automatically resets and the LED also goes off.

**Non-Latching Relay (R-RRR)****Automatic + manual reset at any time**

Condition	LED	Relay
Normal	Off	Off
Alarm	On	On
Normal	Off	Off
Next Alarm	On	On
Ack	On	Off
Normal	Off	Off

In this application, the meter is set up for automatic and manual reset at any time (non-latching relay). The LED and the relay automatically reset when the meter returns to the normal condition.

The next time an alarm occurs, the operator acknowledges the alarm manually while the alarm condition still exists. This causes the relay to reset, but the LED stays on until the meter returns to the normal condition.

**Latching Relay (LRLEH)****Manual reset any time**

Condition	LED	Relay
Normal	Off	Off
Alarm	On	On
Ack	Off	Off

In this application, the meter is set up for manual reset at any time. Acknowledging the alarm even if the alarm condition is still present resets the relay and turns off the LED.

## Latching Relay (L<sub>L</sub>-C<sub>Lr</sub>)

Manual reset only after alarm condition has cleared

Condition	LED	Relay
Normal	Off	Off
Alarm	On	On
Ack (No effect)	On	On
Normal	On	On
Ack	Off	Off

In this application, the meter is set up for manual reset only after the signal passes the reset point (alarm condition has cleared). Acknowledging the alarm while it is still present has no effect on either the LED or the relay. When the alarm is acknowledged after it returns to the normal state, the LED and the relay go off. Notice that the LED remains on, even after the meter returns to the normal condition. This is because, for latching relays, the alarm LED reflects the status of the relay, regardless of the alarm condition.

## Acknowledging Relays

There are two ways to acknowledge relays programmed for manual reset:

1. Via the programmable front panel function keys F1-F3 (Default: F3 assigned to ACK).
2. Remotely via a normally open pushbutton wired across one of the digital inputs and the +5 V terminals on the digital I/O modules, or using the F4 digital input, which is triggered with a contact closure to COM, or with an active low signal (see page 24).

When the ACK button or the assigned digital input is closed, all relays programmed for manual reset are acknowledged.

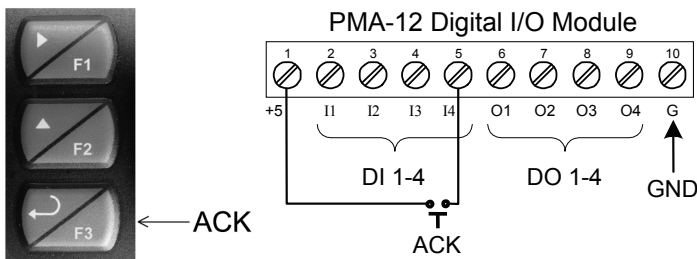


Figure 20: Acknowledge Relays w/Function Key or Digital Input

### Pump Alternation Control Applications (RL&Ern)

For pump control applications where two or more similar pumps are used to control the level of a tank or a well, it is desirable to have all the pumps operate alternately. This prevents excessive wear and overheating of one pump over the lack of use of the other pumps.

Up to 8 relays can be set up to alternate every time an on/off pump cycle is completed. The set points and reset points can be programmed, so that the first pump on is the first pump off.

#### Application #1: Pump Alternation Using Relays 1 & 2

1. Relays 1 and 2 are set up for pump alternation.
2. Relays 3 and 4 are set up for low and high alarm indication.

#### Set and Reset Point Programming

Relay	Set Point	Reset Point	Function
1	30.000	10.000	Controls pump #1
2	35.000	5.000	Controls pump #2
3	4.000	9.000	Controls low alarm
4	40.000	29.000	Controls high alarm

#### Pump Alternation Operation

1. Pump #1 turns on when level reaches 30.000, when level drops below 10.000 pump #1 turns off.
2. The next time level reaches 30.000, pump #2 turns on, when level drops below 10.000, pump #2 turns off.
3. If the level doesn't reach 35.000, pump #1 and pump #2 will be operating alternately.
4. If pump #1 cannot keep the level below 35.000, pump #2 will turn on at 35.000, then as the level drops to 10.000, pump #1 turns off, pump #2 is still running and shuts off below 5.000.
5. Notice that with the set and reset points of pump #2 outside the range of pump #1, the first pump on is the first pump to go off. This is true for up to 8 alternating pumps, if setup accordingly.
6. Relay #3 will go into alarm if the level drops below 4.000 and relay #4 will go into alarm if the level exceeds 40.000.
7. Adding the 4 external relays expansion module allows using the 4 SPDT internal relays for pump alternation and the 4 SPST external relays for high, high-high, low, and low-low alarm indication.

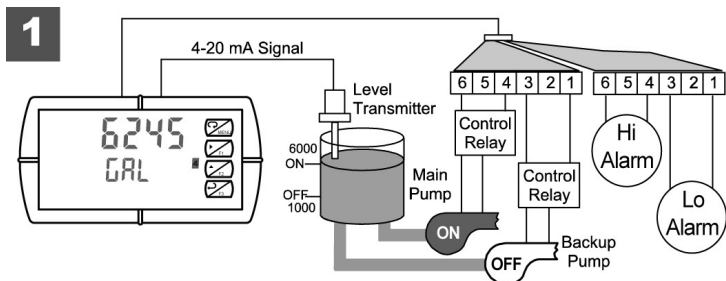
**Application #2: Pump Alternation Using Relays 3 & 4**

1. Relays 1 and 2 are set up for low and high alarm indication.
2. Relays 3 and 4 are set up for pump alternation.

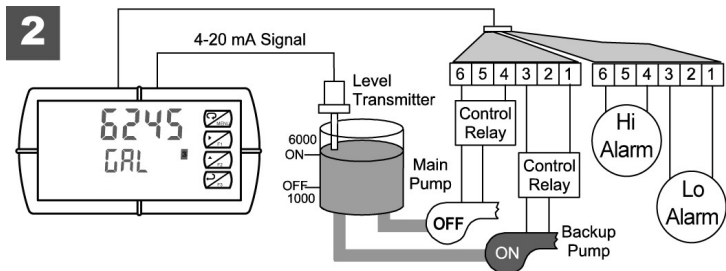
**Set and Reset Point Programming**

Relay	Set Point	Reset Point	Function
1	495	750	Controls low alarm
2	7500	6900	Controls high alarm
3	7000	900	Controls backup pump
4	6000	1000	Controls main pump

The following graphics provide a visual representation of a typical pump alternation application with high and low alarm monitoring:

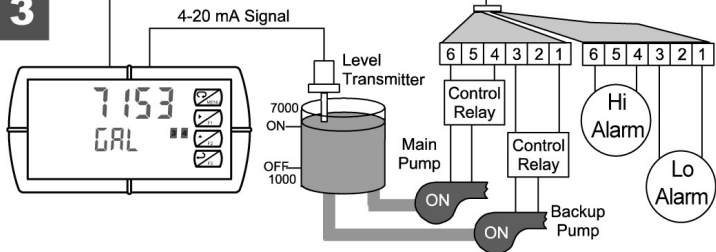


- Relay #4 turns the main pump on at 6000 gallons and turns it off at 1000 gallons.



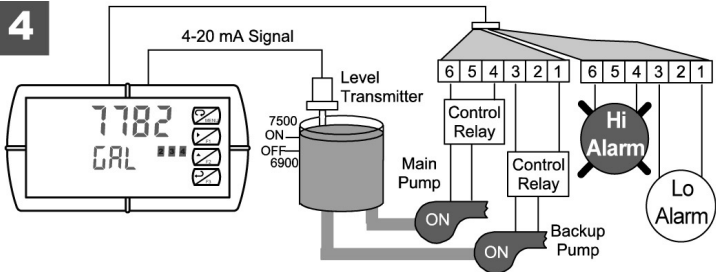
- With the Pump Alternation feature activated, the next time the level reaches 6000 gallons, relay #3 transfers and starts the backup pump.

**3**



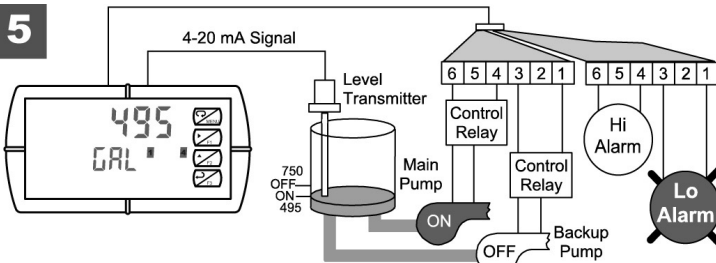
- If the backup pump is not able to keep up, and the level reaches 7000 gallons, relay #4 transfers and starts the main pump as well.

**4**



- Relay #2 trips the High Level Alarm at 7500 gallons and resets at 6900 gallons.

**5**

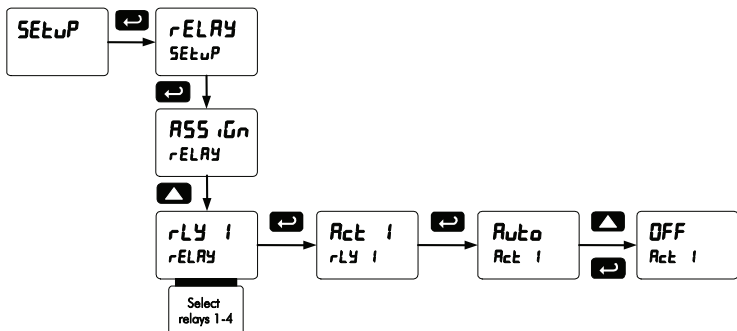


- Relay #1 trips the Low Level Alarm at 495 gallons and resets at 750 gallons.

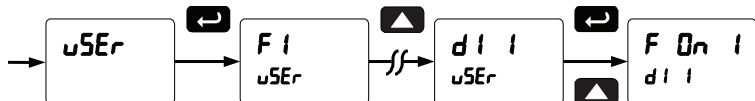
## Setting Up the Interlock Relay (Force On) Feature

Relays 1-4 can be set up as interlock relays. To set up the relays for the interlock feature:

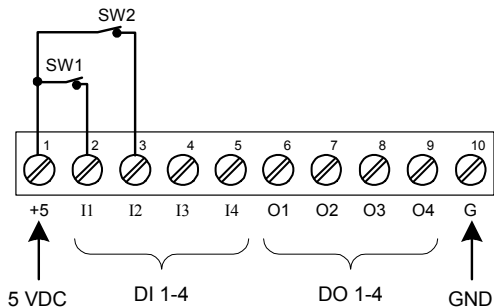
1. Access the *Setup – Relay – Action* menu and set the action to off.



2. In the *Advanced features – User* menu program any of the digital inputs to *Force On* any of the internal relays (1-4).



3. Connect a switch or dry contact between the +5V terminal and the corresponding digital input (dI-1 to dI-4) terminal.





### Interlock Relay Operation Example

Relays 1 & 2 are configured to energize (their front panel LEDs are off) when SW1 & SW2 switches (above) are closed. If the contacts to these digital inputs are opened, the corresponding front panel LEDs flash indicating this condition. The processes being controlled by the interlock relay will stop, and will re-start only after the interlock relay is re-activated by the digital inputs (switches).

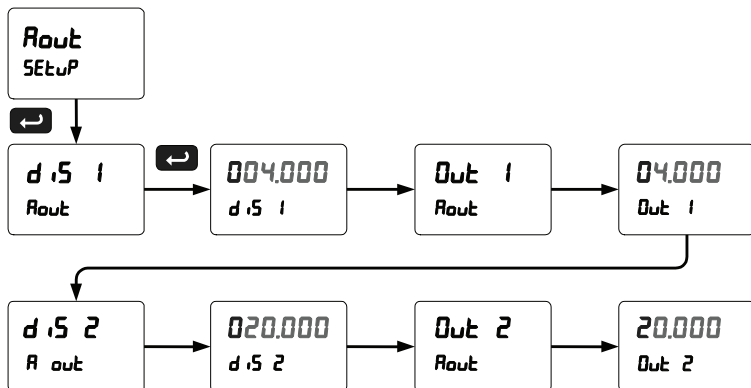
*Note: If multiple digital inputs are assigned to the same relay, then the corresponding logic is (AND) – i.e. both switches must be closed to trip the relay.*

### Scaling the 4-20 mA Analog Output ( $R_{out}$ )

The 4-20 mA analog output can be scaled to provide a 4-20 mA signal for any display range selected.

No equipment is needed to scale the analog output; simply program the display values to the corresponding mA output signal.

The *Analog Output* menu is used to program the 4-20 mA output based on display values.



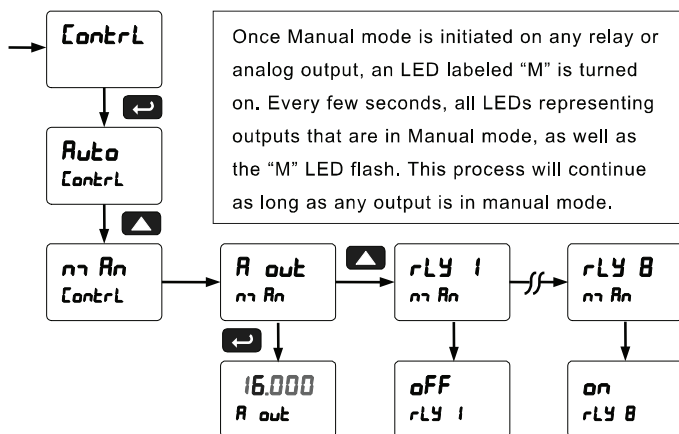
For instructions on how to program numeric values see *Setting Numeric Values*, page 34.

## Reset Menu (rESEt)

The *Reset* menu is used to reset the totals and maximum or minimum reading (peak or valley) reached by the process; both may be reset at the same time by selecting “reset high & low” (rSE HL). If tOFL is set to n0, the tare value used to zero the display may be reset by selecting “reset tare” (rSE tR).

## Control Menu (ContrL)

The *Control* menu is used to control the 4-20 mA analog output and the relays manually, ignoring the input. Each relay and analog output can be programmed independently for manual control. Selecting automatic control sets all relays and analog output for automatic operation.



## Setting Up the Password (PASS)

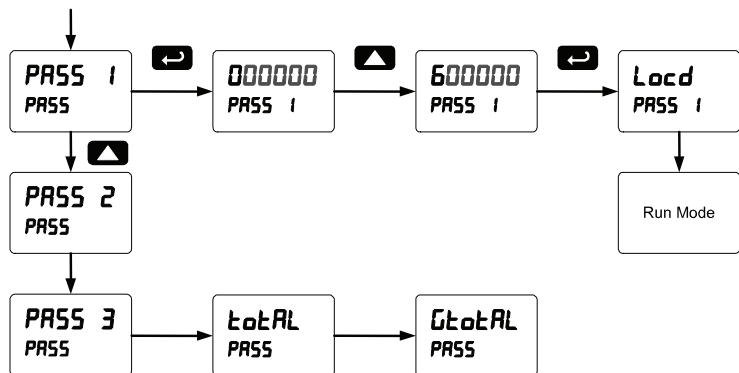
The *Password* menu is used for programming three levels of security to prevent unauthorized changes to the programmed parameter settings and to program the non-resettable totalizer.

- Pass 1: Allows use of function keys and digital inputs
- Pass 2: Allows use of function keys, digital inputs and editing set/reset points
- Pass 3: Restricts all programming, function keys, and digital inputs.
- Total: Prevents resetting the total manually
- Gtotal: Prevents resetting the grand total manually

## Protecting or Locking the Meter

Enter the *Password* menu and program a six-digit password.

For instructions on how to program numeric values see *Setting Numeric Values*, page 34.



Record the password for future reference. If appropriate, it may be recorded in the space provided.

Model:	
Serial Number:	
Password 1:	_____
Password 2:	_____
Password 3:	_____
Total	_____
GTotal	_____

### Total Reset Password & Non-Resettable Total

The total and the grand total can be password-protected to prevent unauthorized total resets.

The grand total can be programmed as a non-resettable total by entering the password "050873".



**Caution!**

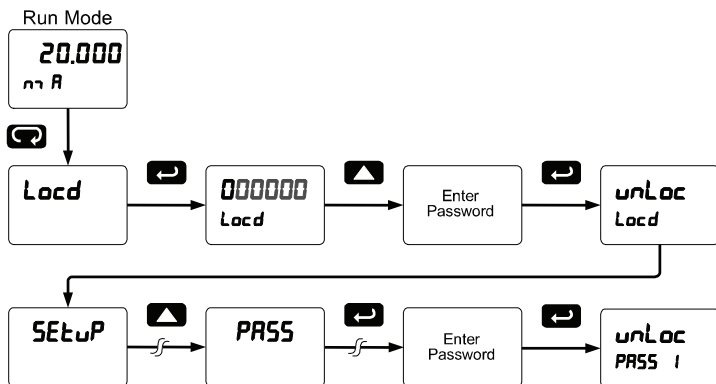
Once the Grand Total has been programmed as "non-resettable" the feature **cannot** be disabled.

## Making Changes to a Password Protected Meter

If the meter is password protected, the meter will display the message *Locd* (*Locked*) when the Menu button is pressed. Press the Enter button while the message is being displayed and enter the correct password to gain access the menu. After exiting the programming mode, the meter returns to its password protected condition.

## Disabling Password Protection

To disable the password protection, access the *Password* menu and enter the correct password twice, as shown below. The meter is now unprotected until a new password is entered.



If the correct six-digit password is entered, the meter displays the message *unLoc* (unlocked) and the protection is disabled until a new password is programmed.

If the password entered is incorrect, the meter displays the message *Locd* (*Locked*) for about two seconds, and then it returns to Run Mode. To try again, press Enter while the *Locked* message is displayed.

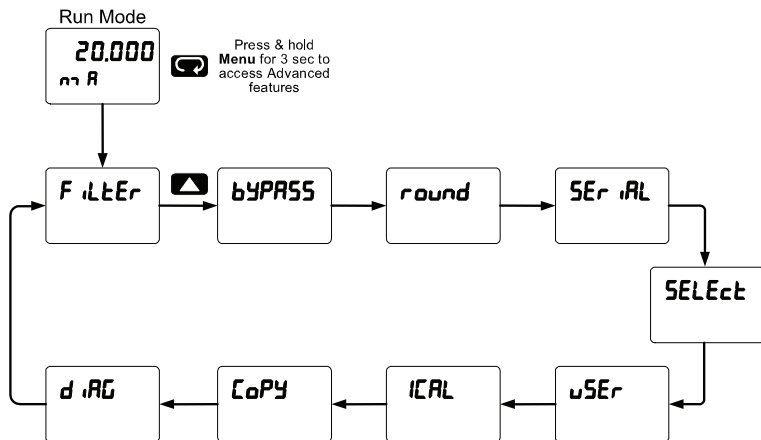
### Did you forget the password?

The password may be disabled by entering a master password once. If you are authorized to make changes, enter the master password 508655 to unlock the meter.

## Advanced Features Menu

To simplify the setup process, functions not needed for most applications are located in the *Advanced Features* menu.

Press and hold the Menu button for three seconds to access the advanced features of the meter.



### Advanced Features Menu & Display Messages

The following table shows the functions and messages of the *Advanced Features* menu in the order they appear in the menu.

Display	Parameter	Action/Setting
F ILtEr	Filter	Set noise filter value
bYPASS	Bypass	Set filter bypass value
r ound	Round	Set the rounding value for display variables
SERIAL	Serial	Set serial communication parameters
SLAVE ID	Slave ID	Set slave ID or meter address
baud	Baud rate	Select baud rate
tr dLY	Transmit delay	Set transmit delay for serial communication
PARITY	Parity	Select parity Even, Odd, or None with 1 or 2 stop bits
t-bytE	Time byte	Set byte-to-byte timeout
SELEct	Select	Enter the Select menu (function, cutoff, out)
FuncTion	Signal input conditioning	Select linear, square root, programmable exponent, or round horizontal tank function
Li nEAR	Linear	Set meter for linear function and select number of linearization points
no Pts	Number of points	Set meter for 2 to 32-point linearization
SQuARe	Square root	Set meter for square root extraction
Pr oG E	Programmable exponent	Set meter for programmable exponent and enter exponent value
rht	Round horizontal tank	Set meter for round horizontal tank volume calculation
inch	Dimension(cm)	Calculate volume in gallons or meters
d iA m r	Diameter	Enter the tank's diameter in inches
LEnGth	Length	Enter the tank's length in inches
Cu toFF	Cutoff	Set low-flow cutoff
Cou nT	Count	Set total and grand total count direction
to t C	Total Count	Set total to count up or down
Gto t C	Grand Total Count	Set grand total to count up or down
C St rT	Count Start	Set start for total or grand total countdown
OutPr	Analog output programming	Program analog output parameters
So uRcE	Source	Select source for the 4-20 mA output

Display	Parameter	Action/Setting
0-rRnG	Overrange	Program mA output for display overrange
u-rRnG	Underrange	Program mA output for display underrange
brERH	Loop Break	Set relay condition if loop break detected
ForcE	Force	Force analog output value for loop break
IgnorE	Ignore	Ignore loop break condition
m RH	Maximum	Program maximum mA output allowed
m m	Minimum	Program minimum mA output allowed
CRL b	Calibrate	Calibrate 4-20 mA output (internal reference source used for scaling the output)
4 m R	4 mA output	Enter mA output value read by milliamp meter with at least 0.001 mA resolution
20 m R	20 mA output	Enter mA output value read by milliamp meter with at least 0.001 mA resolution
uSEr	User I/O	Assign function keys and digital I/O
F 1	F1 function key	Assign F1 function key
F2	F2 function key	Assign F2 function key
F3	F3 function key	Assign F3 function key
F4	F4 function	Assign F4 function (digital input)
d 1 1	Digital input 1	Assign digital input 1 – 8, if expansion modules are connected
d0 1	Digital output 1	Assign digital output 1 – 8, if expansion modules are connected
ICRL	Internal source calibration	Enter internal source calibration (used for scaling the meter without a signal source)
C CRL	Current calibration	Calibrating 4-20 mA current input (internal reference source used for scaling the input)
C Lo	Current low	Calibrate low current input (e.g. 4 mA)
C Hi	Current high	Calibrate high current input (e.g. 20 mA)
U CRL	Voltage calibration	Calibrating voltage input
U Lo	Voltage low	Calibrate low voltage input (e.g. 0 V)
U Hi	Voltage high	Calibrate high voltage input (e.g. 10 V)
CoPY	Copy	Enter copy function
SEnd	Send	Send meter settings to another meter
donE	Done	Copy function completed
d iAG	Diagnostics	Display parameter settings

Display	Parameter	Action/Setting
<i>inPUt</i>	<i>Input</i>	Input selection
<i>unITS</i>	<i>Units</i>	Select the display units/tags
<i>FiLTER</i>	<i>Filter</i>	Set noise filter level
<i>bYPASS</i>	<i>Bypass</i>	Set filter bypass level
<i>round</i>	<i>Round</i>	Round value
<i>FunctiOn</i>	<i>Function</i>	Function selected
<i>SCALE</i>	<i>Scale</i>	Scaling parameter
<i>CutoffF</i>	<i>Cutoff</i>	Cutoff value
<i>tTb</i>	<i>Total time base</i>	Set time period
<i>tCF</i>	<i>Total correction factor</i>	Set correction factor
<i>t rSt</i>	<i>Total reset</i>	Set reset method
<i>GtTb</i>	<i>Grand total time base</i>	Set grand total time period
<i>GtCF</i>	<i>GT correction factor</i>	Set grand total correction factor
<i>Gt rSt</i>	<i>Grand total</i>	Set grand total reset method
<i>dSPLY</i>	<i>Display</i>	Display assignments
<i>rELAY</i>	<i>Relays</i>	Relay settings
<i>RoUt</i>	<i>Analog output</i>	Analog output scaling
<i>RoUtPr</i>	<i>Analog output programming</i>	Analog output programming
<i>SEr iAL</i>	<i>Serial</i>	Serial communication settings
<i>LEd t</i>	<i>LED test</i>	Test all LEDs
<i>inFo</i>	<i>Information</i>	Display software and S/N information



### Noise Filter (*FILTER*)

The noise filter is available for unusually noisy signals that cause an unstable process variable display. The noise filter averages the input signal over a certain period. The filter level determines the length of time over which the signal is averaged. The filter level can be set between 2 and 199. The higher the filter level, the longer the averaging time and so the longer it takes the display to settle to its final value. Setting the filter level to zero disables the filter function.

### Noise Filter Bypass (*BYPASS*)

The noise filter bypass changes the behavior of the meter so that small variations in the signal are filtered out but large abrupt changes in the input signal are displayed immediately. The bypass value determines the minimum amount of signal change to be displayed immediately. All signal changes smaller than the bypass value are filtered or averaged by the meter. The noise filter bypass may be set between 0.1 and 99.9% of full scale.

### Rounding Feature (*round*)

The rounding feature is used to give the user a steadier display with fluctuating signals. Rounding is used in addition to the filter function. Rounding causes the display to round to the nearest value according to the rounding selected. See examples below:

Rounding Selection	Actual Value	Display Value	Actual Value	Display Value
1	12.022	12.022	12.023	12.023
5	12.022	12.020	12.023	12.025
10	12.024	12.020	12.025	12.030

## Modbus RTU Serial Communications (SEr iAL)

The meter is equipped with serial communications capability as a standard feature using Modbus RTU Serial Communication Protocol.

To communicate with a computer or other data terminal equipment, an RS-232 or RS-485 option is required; see *Ordering Information* on page 7 for details.

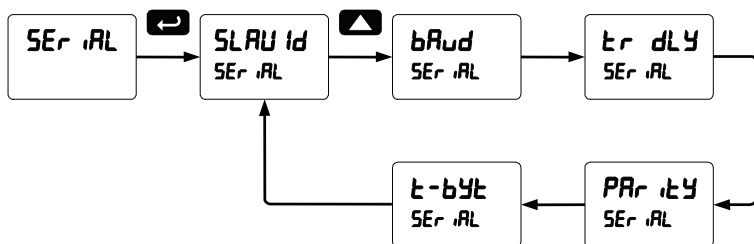


**Warning!**

**Do not connect any equipment other than Dwyer Instruments, Inc.'s expansion modules, cables, or meters to the RJ45 M-LINK connector. Otherwise damage will occur to the equipment and the meter.**

*Note: More detailed instructions are provided with each optional serial communications adapter.*

*Note: Refer to the Modbus Register Tables located at [www.dwyer-inst.com](http://www.dwyer-inst.com) for details.*

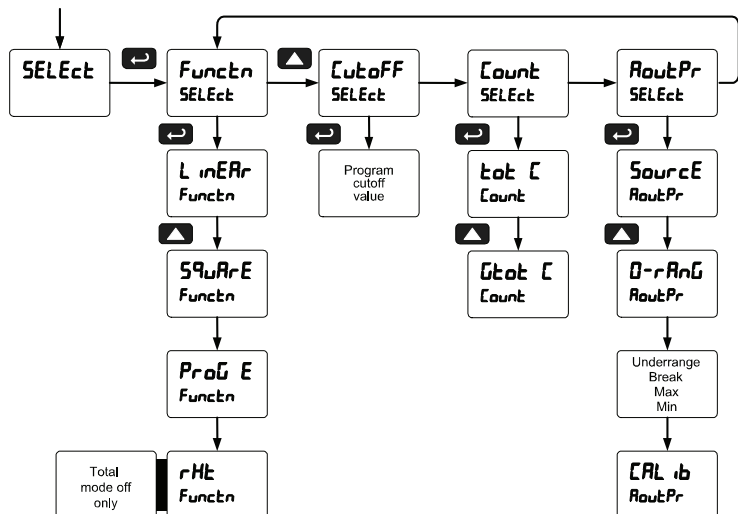


When using more than one meter in a multi-drop mode, each meter must be provided with its own unique address. The meter address (Slave ID) may be programmed between 1 and 247. The transmit delay may be set between 0 and 199 ms. The parity can be set to even, odd, or none with 1 or 2 stop bits.

The APM can also be connected to another APM with a special PMA-02 cable, allowing the user to copy all the settings from one meter to another, using the *Copy* function.

## Select Menu (SELEct)

The *Select* menu is used to select the signal input conditioner applied to the input (linear, square root, programmable exponent, or round horizontal tank), low-flow cutoff, and analog output programming. The multi-point linearization is part of the linear function selection.



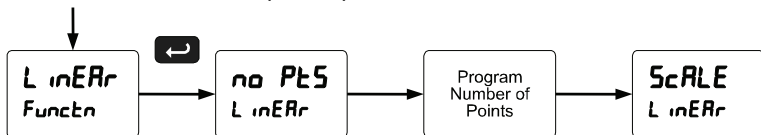
## Signal Input Conditioning (Functn)

The *Function* menu is used to select the signal input conditioner applied to the input: linear, square root, programmable exponent, or round horizontal tank volume calculation. The multi-point linearization is part of the linear function selection.

Meters are set up at the factory for linear function with 2-point linearization. The linear function provides a display that is linear with respect to the input signal.

### Multi-Point Linearization (L inERr)

Meters are set up at the factory for linear function with 2-point linearization. Up to 32 linearization points can be selected under the linear function. The multi-point linearization can be used to linearize the display for non-linear signals such as those from level transmitters used to measure volume in odd-shaped tanks or to convert level to flow using weirs and flumes with complex exponent.



### Square Root Linearization (SQURrE)

The square root function can be used to linearize the signal from a differential pressure transmitter and display flow rate in engineering units.

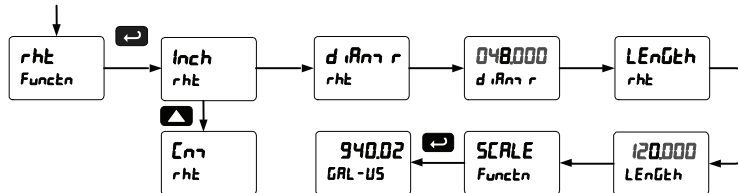
### Programmable Exponent Linearization (PrAG E)

The programmable exponent can be used to linearize the signal from level transmitters in open-channel flow applications using weirs and flumes.

### Round Horizontal Tank Linearization (rHt)

This function automatically calculates the volume in a round horizontal tank with flat ends. This function is only used when  $L_{o}tR_L$  is set to  $no$ . Set the display for the desired decimal point and engineering units before entering the round horizontal tank function. Select units, inches or cm for the tank dimension. Enter the diameter and the length in inches and the results are given in US gallons.

The meter can be scaled to display the volume in any engineering unit.



*Note: After Scale is displayed continue pressing the Enter button until the meter completes the scaling of the input and display values.*

## Changing the Volume from Gallons to Liters

In the above graphic, entering the 48" for the diameter and 120" for the length of the round horizontal tank, the meter automatically calculates that the volume of the tank is 940.02 gallons.

1. Convert gallons to liters  
 $1 \text{ US gallon} = 3.7854 \text{ L}$   
 $940.02 \text{ gal} = 3558.4 \text{ L}$
2. Go to the *Setup* menu and change the decimal point to 1 decimal.
3. Go to the *Program – Scale* menu and press Enter until  $d .5 2$  is shown on the upper display.
4. Press Enter and change the display 2 value to 3558.4.
5. The meter is now displaying the volume in liters.

*Note: The display can be scaled to display the volume in any engineering units.*

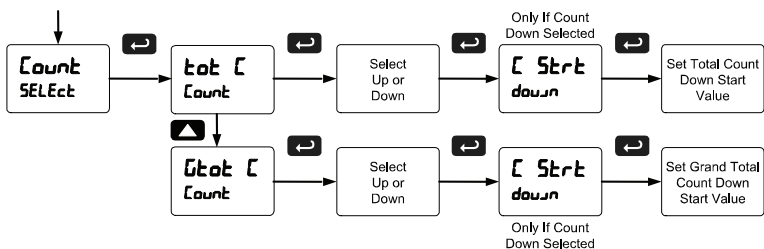
## Low-Flow Cutoff (Cutoff)

The low-flow cutoff feature allows the meter to be programmed so that the often-unsteady output from a differential pressure transmitter, at low flow rates, always displays zero on the meter.

The cutoff value may be programmed from 0 to 999999. The meter will display zero below the cutoff value. Programming the cutoff value to zero disables the cutoff feature.

## Totalizer Count Up/Down (Count)

The totalizer count up/down menu may be used to program the total and grand total to either count up from 0 when reset or count down from a programmed value when reset. Total and grand total may have their countdown numbers programmed individually from 0 to 999999.



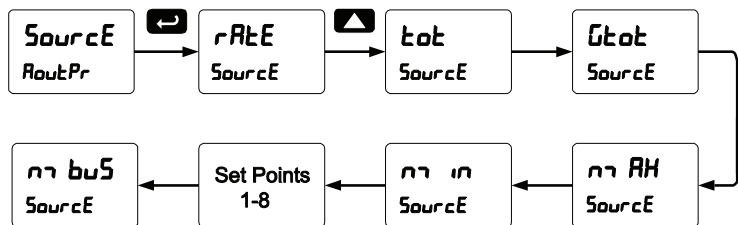
## Analog Output Programming (*RoUtPr*)

The *Analog Output Programming* menu is used to program the behavior of the 4-20 mA output. The following parameters and functions are programmed in this menu:

1. Source: Source for generating the 4-20 mA output (e.g. PV)
2. Overrange: Analog output value with display in overrange condition
3. Underrange: Analog output value with display in underrange condition
4. Break: Analog output value when loop break is detected
5. Max: Maximum analog output value allowed regardless of input
6. Min: Minimum analog output value allowed regardless of input
7. Calibrate: Calibrate the internal 4-20 mA source reference used to scale the 4-20 mA output

### Analog Output Source

The source for generating the 4-20 mA output may be assigned to the rate/process variable, total, grand total, maximum or minimum value reached by the rate/process, or one of the set points, or the Modbus PV input.

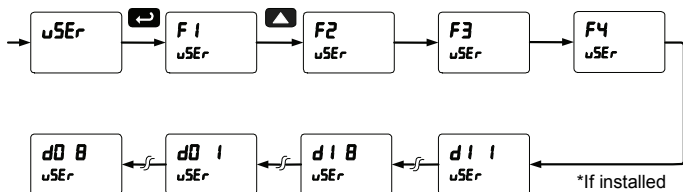


### Analog Output Calibration

To perform the analog output calibration it's recommended to use a milliamp meter with a resolution of at least 0.1  $\mu\text{A}$  to measure the output current. The values saved internally during this procedure are used for scaling the 4-20 mA output in the *Setup* menu.

## Programmable Function Keys User Menu ( $\mu$ SEr)

The *User* menu allows the user to assign the front panel function keys F1, F2, and F3, the digital input F4, and up to eight additional digital inputs to access most of the menus or to activate functions immediately (e.g. Reset max & min). F4 is a digital input on the signal input connector. Up to eight digital outputs can be assigned to a number of actions and functions executed by the meter (e.g. Alarms, relay acknowledgement, etc.).



### Function Keys & Digital I/O Available Settings

Display	Description	Display	Description
r5t HL	Reset max & min	Control	Control menu
tArE	Capture tare	d iSRbl	Disable function key
r5t t r	Reset tare	RcH	Acknowledge relays
rELAY	Relay menu	rESEt	Reset menu
SEt i	Set point 1 - 8	r5t t	Reset total
rLY d	Disable all relays	r5t Gt	Reset grand total
rLY E	Enable all relays	r5t H i	Reset max
0 Hold	Relays & output hold	r5t Lo	Reset min
d Hold	Display hold		
b i H i	Max on upper display	rr Enu	Menu button
b i Lo	Min on upper display	r i h t	Right arrow button/F1
b i HL	Max/min upper display	uP	Up arrow button/F2
L i H i	Max on lower display	EntEr	Enter button/F3
L i Lo	Min on lower display	RLn i	Alarm 1 - 8
L i HL	Max/min lower display	F 0n i	Force relay 1-4 on
L i Gt	Little grand total		

## Tare (LR-E)

The tare function zero's out the display. In the case of scale weight, tare is used to eliminate container weight and provide net weight readings. There are two tare functions; Capture Tare and Reset Tare.

When the capture tare function is used, the display reading is offset by the displayed amount to make the displayed value zero. This modified display value is the net value. The originally displayed value without the tare offset is the gross value. Both may be chosen as a display option.



Reset tare removes the display offset of the net value, and the gross and net values become the same until a new capture tare is entered.

This function may only be used when Total (LR) is set to No (No).

## Internal Source Calibration (ICL)

The meter is factory calibrated prior to shipment to read in milliamps and volts, depending on the input selection. The calibration equipment is certified to NIST standards.

The use of calibrated signal sources is necessary to calibrate the internal source of the meter. The meter's internal source is what allows the user to scale the meter without applying a signal.

Check calibration of the meter at least every 12 months. Each input must be recalibrated separately.

### Notes:

1. *If meter is in operation and it is intended to accept only one input type (e.g. 4-20 mA), recalibration of other input is not necessary.*
2. *Allow the meter to warm up for at least 15 minutes before performing the internal source calibration procedure.*

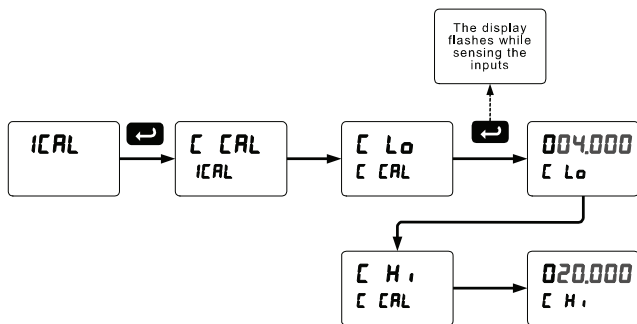


The *Internal calibration* menu is part of the *Advanced Features* menu.

1. Press and hold the Menu button for three seconds to access the advanced features of the meter.
2. Press the Up arrow button to scroll to the *Internal calibration* menu (ICAL) and press Enter.
3. The meter displays either current calibration (C CAL) or voltage calibration (U CAL), according to the input setup. Press Enter to start the calibration process.

#### Example of *Internal Calibration* for current input:

4. The meter displays *low* input current message (C Lo). Apply the low input signal and press Enter. The display flashes for a moment while the meter is accepting the low input signal.
5. After the display stops flashing, a number is displayed with the leftmost digit brighter than the rest. The bright digit is the active digit that can be changed by pressing the Up arrow button. Press the Right arrow button to move to the next digit.
6. Set the display value to correspond to the input signal being calibrated, typically 4.000 mA.
7. The display moves to the *high* input calibration (C Hi). Apply the high input signal and press Enter.
8. Set the display for the high input calibration, in the same way as it was set for the low input calibration, typically 20.000 mA.



The graphic above shows the calibration of the current input. The voltage input is calibrated in a similar way.

**Tips:**

- Low and high input signals can be any valid values within the range of the meter.
- Observe minimum input span requirements between input 1 and input 2.
- Low input should be less than high input signal.

**Error Message (Error)**

An error message indicates that the calibration or scaling process was not successful.

After the error message is displayed, the meter reverts to the input prior to the failure during calibration or scaling and to input 1 during internal calibration, allowing the appropriate input signal to be applied or programmed.

The error message might be caused by any of the following conditions:

1. Input signal is not connected to the proper terminals or it is connected backwards.
2. Wrong signal selection in *Setup* menu.
3. Minimum input span requirements not maintained.
4. Input 1 signal inadvertently applied to calibrate input 2.

**Minimum Input Span**

The minimum input span is the minimum difference between input 1 and input 2 signals required to complete the calibration or scaling of the meter.

Input range	Input 1 & input 2 span
4-20 mA	0.15 mA
±10 VDC	0.10 VDC

**Meter Copy Function (ƐoPƳ)**

The *Copy* function is used to copy (or clone) all the settings from one meter to other meters requiring exactly the same setup and programming (*i.e.* type of input, scaling, decimal pt., filter, bypass, etc.).



**Warning!**

***Only the PMA-02 meter copy cable must be used for meter-to-meter interfacing. The PMA-02 is a special eight-conductor flat cable with two wires swapped.***

***Using standard CAT5 or other cable will cause damage to both meters.***

### Meter Copy or Cloning Instructions



**Caution!**

*Do not connect the two meters to the same signal source while cloning. Internal calibration may be affected.*

### Copy Function Requirements

*To successfully copy settings from one meter to another, both meters must have the same software version and same baud rate setting, See [Determining Software Version](#), page 86 for instructions.*

1. Connect two meters using a PMA-02 meter copy cable.

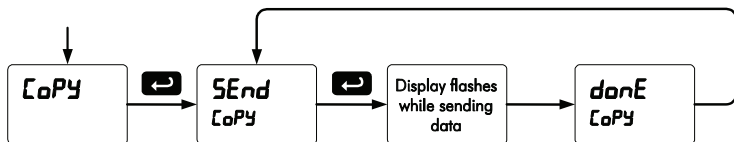


**Warning!**

**Use PMA-02 meter copy cable only!**

**Using standard CAT5 or other cable will cause damage to both meters.**

2. Do not connect the two meters to the same signal source.
3. Power up both meters. Leave Clone meter in Run Mode.
4. Enter the *Advanced Features* menu of the Master meter see [Advanced Features Menu](#) page 69.
5. Scroll to the *Copy* function using the Up arrow button then press Enter.
6. The meter displays the message `SEnd`. Press Enter, the display flashes while sending data. The message `donE` is displayed when copying is completed.



7. The Clone meter displays the message `COPY rE` while being programmed, then the message `donE` when copying is completed. The meter initializes and returns to Run Mode using the same settings as the Master.
8. If meter to be cloned does not respond to the data being sent, refer to **Copy Function Requirements** above.





## METER OPERATION

The meter is capable of accepting current (0-20 mA, 4-20 mA) and voltage signals (0-5 V, 1-5 V, 0-10 V,  $\pm 10$  V) and displaying these signals in engineering units from -99999 to 999999 (e.g. a 4-20 mA signal could be displayed as -50.000 to 50.000).

The dual-line display can be customized by the user to operate in such a way as to satisfy a specific application. Typically the upper display is used for the process variable; while the second display is used for engineering units, custom legend, total, grand total, or set point indication.

The meter can be set up to display the analog input on the upper display and the Modbus input on the second display. The relays and analog output can be programmed to operate from the Modbus PV input.

### Front Panel Buttons Operation

Button Symbol	Description
	Press to enter or exit Programming Mode, view settings, or exit max/min readings
	Press to reset max/min readings or other parameter/function assigned through the <i>User</i> menu
	Press to display max/min readings or other parameter/function assigned through the <i>User</i> menu
	Press to acknowledge relays or other parameters/function assigned through the <i>User</i> menu

### Function Keys Operation

During operation, the programmable function keys operate according to the way they have been programmed in the *Advanced Features – User* menu.

The table above shows the factory default settings for F1, F2, and F3.

## F4 Operation

A digital input, F4, is standard on the meter. This digital input is programmed identically to function keys F1, F2, and F3. The input is triggered with a contact closure to COM, or with an active low signal. During operation, F4 operates according to the way it has been programmed in the *Advanced Features – User* menu.

## Maximum/Minimum Readings

The max & min readings (peak & valley) reached by the process can be displayed either continuously or momentary:

1. Display briefly by assigning to the F1-F3 function keys or to the digital inputs in the *User* menu.
2. Display continuously by assigning either display to max/min through the *Display* menu.

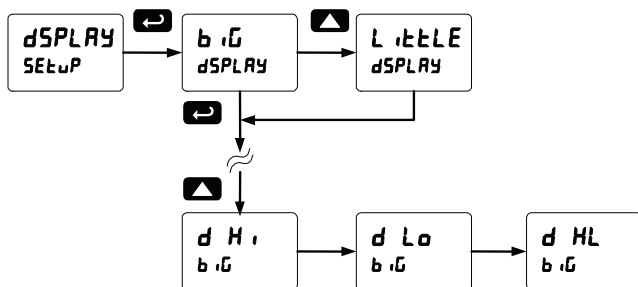
Any of the F1-F3 function keys (buttons) and the digital inputs can be programmed to reset the max & min readings. The meters are set at the factory to display the max reading by pressing the Up arrow/F2 button and to use the Right arrow/F1 button to access the *Reset* menu.

### To display max reading using function key with factory defaults:

1. Press Up arrow/F2 button to display maximum reading since the last reset/power-up.
2. To reset max/min press Right arrow/F1 button to access the Reset menu. The max & min displays are reset to actual values.
3. Press Menu to exit max/min display reading.

### To display max/min readings continuously:

Assign either display to Max (d H  $\uparrow$ ), Min (d L  $\circ$ ), or toggle between Max and Min (d HL) every 10 seconds.



## TROUBLESHOOTING

The rugged design and the user-friendly interface of the meter should make it unusual for the installer or operator to refer to this section of the manual. However, due to the many features and functions of the meter, it's possible that the setup of the meter does not agree with what an operator expects to see.

If the meter is not working as expected, refer to the *Diagnostics* menu and recommendations below.

### Diagnostics Menu (d iRG)

The *Diagnostics* menu is located in the *Advanced Features* menu, to access *Diagnostics* menu see *Advanced Features Menu*, page 69.

It provides an easy way to view the programmed parameter settings for troubleshooting purposes. Press the Enter button to view the settings and the Menu button to exit at any time.

For a description of the diagnostic messages, see *Advanced Features Menu & Display Messages*, page 70.

### Determining Software Version

To determine the software version of a meter:

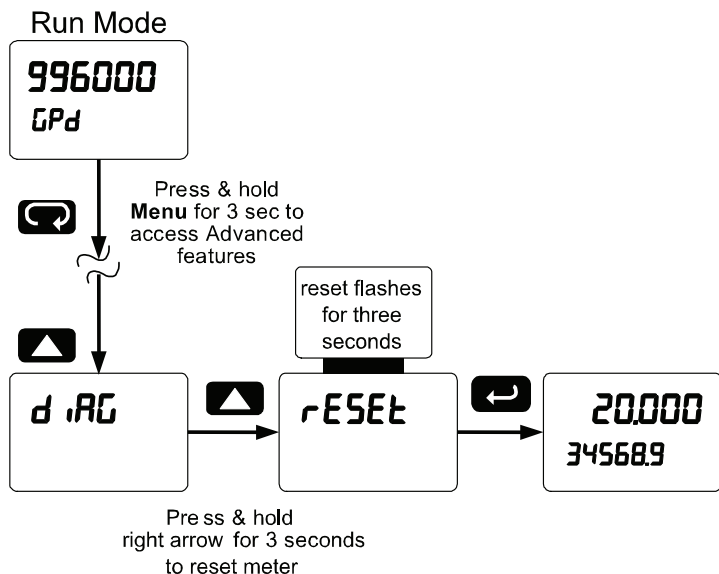
1. Go to the *Diagnostics* menu (d iRG) and press Enter button.
2. Press Up arrow button and scroll to Information menu ( i n F d).
3. Press Enter to access the software number (5Ft) and version (vEr) information. Write down the information as it is displayed. Continue pressing Enter until all the information is displayed.
4. The meter returns to Run Mode after displaying all the settings.

## Reset Meter to Factory Defaults

When the parameters have been changed in a way that is difficult to determine what's happening, it might be better to start the setup process from the factory defaults.

### Instructions to load factory defaults:

1. Enter the *Advanced Features* menu. See *Advanced Features Menu*, page 69.
2. Press Up arrow to go to *Diagnostics* menu
3. Press and hold Right arrow for three seconds, press Enter when display flashes *rESEt*.  
Note: If Enter is not pressed within three seconds, the display returns to the *Diagnostics* menu.
4. The meter goes through an initialization sequence (similar as on power-up), and loads the factory default settings.



### Factory Defaults & User Settings

The following table shows the factory setting for most parameters. Next to the factory setting, record the new setting for the particular application.

Model: \_\_\_\_\_ S/N: \_\_\_\_\_ Date: \_\_\_\_\_

Parameter	Display	Default Setting	User Setting
Input type	<i>inPuT</i>	4-20 mA	
Total	<i>tOtAL</i>	Yes	
Units	<i>un itS</i>	Rate / total / gr. total mA / mA / mA	
Filter	<i>F iLTER</i>	70	
Bypass	<i>bYPASS</i>	0.2	
Function	<i>FunctiOn</i>	Linear	
Number of points	<i>no Pts</i>	2	
Programming	<i>ProG</i>	Scale	
Input 1	<i>inP 1</i>	4.000 mA	
Display 1	<i>d iS 1</i>	4.000	
Input 2	<i>inP 2</i>	20.000 mA	
Display 2	<i>d iS 2</i>	20.000	
Decimal point	<i>ddd.ddd</i>	3 places	
Cutoff value	<i>CuTOff</i>	0.000 (disabled)	
Big display (Upper)	<i>b iG</i>	Rate/Process	
Little display (Lower)	<i>L iTEtLE</i>	Total value	
Display intensity	<i>d- inEtY</i>	8	
Total time base	<i>t tB</i>	Second	
Total conversion factor	<i>t CF</i>	1.000	
Total reset	<i>t rSt</i>	Manual	



Parameter	Display	Default Setting	User Setting
Grand total time base	0t tb	Second	
Grand total conversion factor	t CF	1.000	
Grand total reset	t rSt	Manual	
Total count up/down	toe C	Up	
Grand tot count	0toe C	Up	
Relay 1 assignment	RS 0n 1	Total	
Relay 2 assignment	RS 0n 2	Total	
Relay 3 assignment	RS 0n 3	Rate	
Relay 4 assignment	RS 0n 4	Rate	
Relay 1 action	Rct 1	Automatic	
Relay 1 set point	SEt 1	1.000	
Relay 1 reset point	rSt 1	0.000	
Relay 2 action	Rct 2	Automatic	
Relay 2 set point	SEt 2	2.000	
Relay 2 reset point	rSt 2	0.000	
Relay 3 action	Rct 3	Automatic	
Relay 3 set point	SEt 3	3.000	
Relay 3 reset point	rSt 3	2.500	
Relay 4 action	Rct 4	Automatic	
Relay 4 set point	SEt 4	4.000	
Relay 4 reset point	rSt 4	3.500	
Fail-safe relay 1	FLS 1	Off	
Fail-safe relay 2	FLS 2	Off	

Parameter	Display	Default Setting	User Setting
Fail-safe relay 3	FLS 3	Off	
Fail-safe relay 4	FLS 4	Off	
Display 1 analog out	d 15 1	4.000	
Output 1 value	Out 1	4.000 mA	
Display 2 analog out	d 15 2	20.000	
Output 2 value	Out 2	20.000 mA	
Source analog output	Source	Rate/process	
Overrange output	OverRange	21.000 mA	
Underrange output	UnderRange	3.000 mA	
Loop break output	brERH	1.000 mA	
Maximum output	max RH	23.000 mA	
Minimum output	min RL	1.000 mA	
F1 function key	F 1	Reset max & min	
Password 1	PASS 1	000000 (unlocked)	
Password 2	PASS 2	000000 (unlocked)	
Password 3	PASS 3	000000 (unlocked)	
Total password	total RL	000000 (unlocked)	
Grand total password	Grand total RL	000000 (unlocked)	
<b>Other Parameters</b>			

## Troubleshooting Tips

Symptom	Check/Action
No display at all	Check power at power connector
Not able to change setup or programming, <b>LoCd</b> is displayed	Meter is password-protected, enter correct six-digit password to unlock
Meter displays error message during calibration ( <i>Error</i> )	Check: <ol style="list-style-type: none"> <li>Signal connections</li> <li>Input selected in <i>Setup</i> menu</li> <li>Minimum input span requirements</li> </ol>
Meter displays 999999 -999999	Check: <ol style="list-style-type: none"> <li>Input selected in <i>Setup</i> menu</li> <li>Corresponding signal at Signal connector</li> </ol>
Display is unstable	Check: <ol style="list-style-type: none"> <li>Input signal stability and value</li> <li>Display scaling vs. input signal</li> <li>Filter and bypass values (increase)</li> </ol>
Display response is too slow	Check filter and bypass values
Display reading is not accurate	Check: <ol style="list-style-type: none"> <li>Signal input conditioner selected: Linear, square root, etc.</li> <li>Scaling or calibration</li> </ol>
Display does not respond to input changes, reading a fixed number	Check: Display assignment, it might be displaying max, min, or set point.
Display alternates between <ol style="list-style-type: none"> <li><b>H i</b> and a number</li> <li><b>Lo</b> and a number</li> </ol>	Press Menu to exit max/min display readings.
Relay operation is reversed	Check: <ol style="list-style-type: none"> <li>Fail-safe in <i>Setup</i> menu</li> <li>Wiring of relay contacts</li> </ol>
Relay and status LED do not respond to signal	Check: <ol style="list-style-type: none"> <li>Relay action in <i>Setup</i> menu</li> <li>Set and reset points</li> </ol>
Flashing relay status LEDs	Relays in manual control mode or relay interlock switches opened.
Meter not communicating with application programs	Check: <ol style="list-style-type: none"> <li>Serial adapter and cable</li> <li>Serial settings</li> <li>Meter address and baud rate</li> </ol>
If the display locks up or the meter does not respond at all	Cycle the power to reboot the microprocessor.
Other symptoms not described above	Call Technical Support for assistance.

*Note: Certain sequences of events can cause unexpected results. To solve these issues, it is best to start fresh from factory defaults and map changes ahead of time, rather than at random.*

## Alphabetical List of Display Functions & Messages

Display	Parameter	Action/Setting Description
20 mA	20 mA output	Enter mA output value read by milliamp meter with at least 0.001 mA resolution
4 mA	4 mA output	Enter mA output value read by milliamp meter with at least 0.001 mA resolution
999999 -999999	Flashing display	Overrange condition Underrange condition
ACK	Acknowledge	Acknowledge relays
Relay 1	Action 1	Set relay 1 action
Alarm 1	Alarm 1	Assign digital output to Alarm 1 – 8
Alternate	Alternate	Set relay for pump alternation control (relays assigned to rate)
Auto-manual	Auto-manual	Set relay for automatic & manual reset any time
Analog output	Analog output	Analog output scaling
Analog output programming	Analog output programming	Analog output programming
Assign 1	Assign 1	Relay 1 assignment
Assignment	Assignment	Assign relays to rate, total, or grand total
Automatic	Automatic	Press Enter to set meter for automatic operation
Automatic	Automatic	For automatic reset
Baud rate	Baud rate	Select baud rate
Upper display	Upper display	Press Enter to assign the Upper display parameter (default: PV or rate)
Max on big display	Max on big display	Assign digital input to display max on the upper display
Max/min upper display	Max/min upper display	Assign digital input to toggle max/min on the upper display
Min on big display	Min on big display	Assign the digital input to display min on the upper display
Loop break	Loop break	Set relay condition if loop break detected (For mA input only)

Display	Parameter	Action/Setting Description
bYPASS	<i>Bypass</i>	Set filter bypass value
[ CR ]	<i>Current calibration</i>	Calibrating 4-20 mA current input (internal reference source used for scaling the input)
[ Hi ]	<i>Current high</i>	Calibrate high current input (e.g. 20 mA)
[ Lo ]	<i>Current low</i>	Calibrate low current input (e.g. 4 mA)
[ Start ]	<i>Count Start</i>	Set start for total or grand total countdown
[ CR ]	<i>Calibrate</i>	Enter the <i>Calibrate</i> menu
[ CR ] b	<i>Calibrate</i>	Calibrate 4-20 mA output (internal reference source used for scaling the output)
[ Control ]	<i>Control</i>	Enter <i>Control</i> menu to turn relays on/off, set analog output manually, or return meter to automatic operation
[ COPY ]	<i>Copy</i>	Enter copy function
[ Count ]	<i>Count</i>	Set total and grand total count direction
[ Cutoff ]	<i>Cutoff</i>	Cutoff value
d GROSS	<i>Display gross</i>	Select to display the gross value
d GT-u	<i>Display gt-u</i>	Select to display grand total and units
d GTot	<i>Display gtot</i>	Select to display the grand total
d Hi	<i>Display high</i>	Select to display the max
d H&L	<i>Display H&amp;L</i>	Select to display the max & min toggling
d Hold	<i>Display hold</i>	Display hold
d Lo	<i>Display low</i>	Select to display the min
d Net-G	<i>Net/Gross</i>	Select to alternate the net and gross values
d PCT	<i>Display PCT</i>	Select to display percent of PV1 (dual scale display)
d PV	<i>Display PV</i>	Select to display PV
d PV1	<i>Display PV1</i>	Select to display PV1 (dual scale display)
d PV2	<i>Display PV2</i>	Select to display PV2 (dual scale display)

Display	Parameter	Action/Setting Description
<i>d r -gt</i>	<i>Display r-gt</i>	Select to display the rate and grand total
<i>d r -t</i>	<i>Display r-t</i>	Select to display the rate and total
<i>d r -u</i>	<i>Display r-u</i>	Select to display rate and units
<i>d rRtE</i>	<i>Display rate</i>	Select to display the rate/PV
<i>d-5CAL</i>	<i>Dual-scale</i>	Enter <i>d-SCAL</i> menu and select <i>Yes</i> for dual-scale or <i>No</i> for single scale display
<i>d 5Et 1</i>	<i>Display Set 1</i>	Select to display relay 1 set point
<i>d tot</i>	<i>Display tot</i>	Select to display the total
<i>d un it</i>	<i>Display units</i>	Select to display engineering units or label
<i>d- IntY</i>	<i>Display intensity</i>	Set display intensity level from 1 to 8
<i>dEc Pt</i>	<i>Decimal point</i>	Set decimal point for rate, total, grand total
<i>dELAY</i>	<i>Delay</i>	Enter relay <i>Time Delay</i> menu
<i>d I 1</i>	<i>Digital input 1</i>	Assign digital input 1-8, if expansion modules are connected
<i>d iRt</i>	<i>Diagnostics</i>	Display parameter settings
<i>d iRn r</i>	<i>Diameter</i>	Enter the tank's diameter in inches
<i>d 1 1</i>	<i>Display 1</i>	Program display 1 value
<i>d 1 2</i>	<i>Display 2</i>	Program display 2 value
<i>d iRbL</i>	<i>Disable</i>	Disable function key
<i>dLY 1</i>	<i>Delay 1</i>	Enter relay 1 time delay setup
<i>dO 1</i>	<i>Digital output 1</i>	Assign digital output 1 – 8, if expansion modules are connected
<i>donE</i>	<i>Done</i>	Copy function completed
<i>d5Et 1</i>	<i>Display set 1</i>	Select to display set point 1 (1-8)
<i>d5PLAY</i>	<i>Display</i>	Enter the <i>Display</i> menu
<i>d tot -u</i>	<i>Display t-u</i>	Select to display the total & units
<i>EntEr</i>	<i>Enter</i>	Assign digital input to Enter button/F3

Display	Parameter	Action/Setting Description
<i>Error</i>	<i>Error</i>	Error, calibration not successful, check signal or programmed value
<i>F On 1</i>	<i>Force On 1</i>	Force relay 1 on using digital input (1-8)
<i>F 1</i>	<i>F1 function key</i>	Assign F1 function key
<i>F 2</i>	<i>F2 function key</i>	Assign F2 function key
<i>F 3</i>	<i>F3 function key</i>	Assign F3 function key
<i>F 4</i>	<i>F4 function</i>	Assign F4 function (digital input)
<i>Fail-SF</i>	<i>Fail-safe</i>	Enter <i>Fail-safe</i> menu
<i>Filter</i>	<i>Filter</i>	Set noise filter value
<i>Fail 1</i>	<i>Fail-safe 1</i>	Set relay 1 fail-safe operation
<i>Force</i>	<i>Force</i>	Force analog output value for loop break
<i>Function</i>	<i>Function</i>	Select linear, square root, programmable exponent, or round horizontal tank function
<i>Grand total</i>	<i>Grand total</i>	Assign relay to grand total
<i>Grand total conversion factor</i>	<i>Grand total conversion factor</i>	Program grand total conversion factor
<i>Grand total reset</i>	<i>Grand total reset</i>	Program grand total rest mode: auto or manual
<i>Grand total time base</i>	<i>Grand total time base</i>	Program grand total time base
<i>Grand Total Count</i>	<i>Grand Total Count</i>	Set grand total to count up or down
<i>Grand total password</i>	<i>Grand total password</i>	Set or enter password for manual reset
<i>Internal source calibration</i>	<i>Internal source calibration</i>	Enter internal source calibration (used for scaling the meter without a signal source)
<i>Ignore</i>	<i>Ignore</i>	Ignore loop break condition
<i>Information</i>	<i>Information</i>	Display software and S/N information
<i>Input Calibration</i>	<i>Input Calibration</i>	Enter the <i>Input Calibration</i> menu
<i>Input 1</i>	<i>Input 1</i>	Calibrate input 1 signal or program input 1 value

Display	Parameter	Action/Setting Description
<i>inP 2</i>	<i>Input 2</i>	Calibrate input 2 signal or program input 2 value (up to 32 points)
<i>inPUL</i>	<i>Input</i>	Input selection
<i>LRLCH</i>	<i>Latching</i>	Set relay for latching operation (relays assigned to rate)
<i>LED t</i>	<i>LED test</i>	Test all LEDs
<i>LENLth</i>	<i>Length</i>	Enter the tank's length in inches
<i>L inERR</i>	<i>Linear</i>	Set meter for linear function and select number of linearization points
<i>L t GL</i>	<i>Grand total on lower display</i>	Assign the digital input to display the grand total on the lower display
<i>L t H L</i>	<i>Max on lower display</i>	Assign digital input to display max on the lower display
<i>L t HL</i>	<i>Max/min lower display</i>	Assign the digital input to toggle max/min on the lower display
<i>L t Lo</i>	<i>Min on lower display</i>	Assign digital input to display min on the lower display
<i>L tLE</i>	<i>Lower display</i>	To assign the lower display parameters
<i>Locd</i>	<i>Locked</i>	Enter password to unlock meter
<i>LE-CLR</i>	<i>Latching-cleared</i>	Set relay for latching operation with manual reset only after alarm condition has cleared (relays assigned to rate)
<i>m A</i>	<i>4-20 mA</i>	Set meter for 4-20 mA input
<i>m An</i>	<i>Manual</i>	To manually control
<i>m RH</i>	<i>Maximum</i>	Program maximum mA output allowed
<i>m bUS</i>	<i>Modbus</i>	Select to display Modbus input or to assign Modbus input as the analog output source
<i>m Ebu</i>	<i>Menu button</i>	Assign digital input to Menu button
<i>m m</i>	<i>Minimum</i>	Program minimum mA output allowed
<i>no PLS</i>	<i>Number of points</i>	Set meter for 2 to 32-point linearization
<i>nonr S</i>	<i>Non-resettable</i>	Non-resettable grand total set



Display	Parameter	Action/Setting Description
<b>Hold</b>	<i>Relays output hold</i>	Assign digital input to hold all relays state
<b>OFF</b>	<i>Off</i>	Disable relay and front panel status LED, turn relays off, program off time delay
<b>OFF 1</b>	<i>Off</i>	Set relay 1 Off time delay
<b>On</b>	<i>On</i>	Enable fail-safe operation, turn relays on, program on time delay
<b>On 1</b>	<i>On</i>	Set relay 1 On time delay
<b>OverRange</b>	<i>Overrange</i>	Program mA output for display overrange
<b>Out 1</b>	<i>Output 1</i>	Program output 1 value (e.g. 4.000 mA)
<b>Out 2</b>	<i>Output 2</i>	Program output 2 value (e.g. 20.000 mA)
<b>PASS</b>	<i>Password</i>	Enter the <i>Password</i> menu
<b>PASS 1</b>	<i>Password 1</i>	Set or enter Password 1
<b>PASS 2</b>	<i>Password 2</i>	Set or enter Password 2
<b>PASS 3</b>	<i>Password 3</i>	Set or enter Password 3
<b>Program</b>	<i>Program</i>	Enter the <i>Program</i> menu
<b>Prog E</b>	<i>Programmable exponent</i>	Set meter for programmable exponent and enter exponent value
<b>Rate</b>	<i>Rate</i>	Assign relay to rate
<b>RELAY</b>	<i>Relay</i>	Enter the <i>Relay</i> menu
<b>RESET</b>	<i>Reset</i>	To access the <i>Reset</i> menu
<b>rh</b>	<i>Round horizontal tank</i>	Set meter for round horizontal tank volume calculation
<b>rh</b>	<i>Right arrow</i>	Assign digital input to Right arrow button/F1
<b>RY 1</b>	<i>Relay 1</i>	Relay 1 setup
<b>RY 2</b>	<i>Relay 2</i>	Relays 2-8 setup <i>Note: Relays 5-8 are shown, only if expansion relay module is installed.</i>
<b>RY d</b>	<i>Disable relay</i>	Assign digital input to disable all relays
<b>RY E</b>	<i>Enable relay</i>	Assign digital input to enable all relays

Display	Parameter	Action/Setting Description
<i>r ound</i>	<i>Round</i>	Select rounding values for PV display
<i>r St 1</i>	<i>Reset 1</i>	Program reset point 1
<i>r St 0t</i>	<i>Reset grand total</i>	To reset grand total
<i>r St Hi</i>	<i>Reset high</i>	Press Enter to reset max display
<i>r St HL</i>	<i>Reset high &amp; low</i>	Press Enter to reset max & min displays
<i>r St Lo</i>	<i>Reset low</i>	Press Enter to reset min display
<i>r St t</i>	<i>Reset Total</i>	Reset total
<i>r St tr</i>	<i>Reset tare</i>	Reset tare
<i>SRRPL</i>	<i>Sampling</i>	Set relay for sampling operation
<i>SCALE</i>	<i>Scale</i>	Enter the <i>Scale</i> menu
<i>SElect</i>	<i>Select</i>	Enter the <i>Select</i> menu (function, cutoff, out)
<i>SEnd</i>	<i>Send</i>	Send meter settings to another meter
<i>SEr iAL</i>	<i>Serial</i>	Set serial communication parameters
<i>SEt 1</i>	<i>Set 1</i>	Program set point 1
<i>SEtUP</i>	<i>Setup</i>	Enter <i>Setup</i> menu
<i>SLAVE id</i>	<i>Slave ID</i>	Set Slave ID or meter address
<i>Source</i>	<i>Source</i>	Select source for the 4-20 mA output
<i>SQUARE</i>	<i>Square root</i>	Set meter for square root extraction
<i>t CF</i>	<i>Total conversion factor</i>	Program total conversion factor
<i>t dLY</i>	<i>Time delay</i>	Program time delay for total auto reset
<i>t rSt</i>	<i>Total reset</i>	Program total rest mode: auto or manual
<i>t tb</i>	<i>Total time base</i>	Program total time base
<i>tPrE</i>	<i>Capture tare</i>	Capture tare
<i>t oE C</i>	<i>Total Count</i>	Set total to count up or down
<i>t oEAL</i>	<i>Total</i>	Enable or disable totalizer features

Display	Parameter	Action/Setting Description
tr dLY	<i>Transmit delay</i>	Set transmit delay for serial communication
un iLS	<i>Units</i>	Select the display units/tags
unLoC	<i>Unlocked</i>	Program password to lock meter
uP	<i>Up arrow</i>	Assign digital input to up arrow button/F2
u-r RnG	<i>Underrange</i>	Program mA output for display underrange
uSEr	<i>User I/O</i>	Assign function keys and digital I/O
U CRL	<i>Voltage calibration</i>	Calibrating voltage input
U H i	<i>Voltage high</i>	Calibrate high voltage input (e.g. 10 V)
U Lo	<i>Voltage low</i>	Calibrate low voltage input (e.g. 0 V)
UoL t	<i>0-10 VDC</i>	Set meter for $\pm 10$ VDC input

LIM6200DW\_D | SFT039 Ver 3.100 & up | 08/12

**DWYER INSTRUMENTS, INC.**  
PO Box 373 • Michigan City IN 46360 USA

Phone: (800) 872-9141  
Fax: (219) 872-9057  
**[www.dwyer-inst.com](http://www.dwyer-inst.com)**