

## Important Points!

Product must be maintained and installed in strict accordance with the National Electrical Code and Dwyer product catalog and instruction bulletin. Failure to observe this warning could result in serious injuries or damages.

For hazardous area applications involving such things as (but not limited to) ignitable mixtures, combustible dust and flammable materials, use an appropriate explosion-proof enclosure or intrinsically safe interface device.

The pressure and temperature limitations shown on the individual catalog pages and drawings for the specified flow switches must not be exceeded. These pressures and temperatures take into consideration possible system surge pressures/temperatures and their frequencies.

Selection of materials for compatibility with the media is critical to the life and operation of Dwyer products. Take care in the proper selection of materials of construction, particularly wetted materials.

Life expectancy of switch contacts varies with applications. Contact Dwyer if life cycle testing is required.

Ambient temperature changes do affect switch set points, since the specific gravity of a liquid can vary with temperature.

Dwyer Products have been designed to resist shock and vibration; however, shock and vibration should be minimized.

Filter liquid media containing particulate and/or debris to ensure the proper operation of our products.

Electrical entries and mounting points in an enclosed tank may require liquid/vapor sealing.

Dwyer Products must not be field-repaired.

Physical damage sustained by the product may render it unserviceable.



## A2 Pressure Switches Instruction Bulletin No. 204117

---

### Installation

To install the switches, use a suitable wrench on the port and plumb into place with the proper sealant. For electrical wiring, refer to wiring codes on the next page and to the specification sheet for the switch ratings. For low DC loads (<50 mA, TTL logic) use switches with gold contacts. All the switches are adjustable unless they were ordered with the IP68 submersible option, in which case they are factory set and not field adjustable. All switches are maintenance-free.

### Adjusting the Set point

- 1) Using a 1/8 inch Allen (Hex) wrench, adjust **clockwise to increase** the set point and **counterclockwise to lower** the set point. (Adjustments are done while applying a known pressure and monitoring the switch's state.)
- 2) After verifying the set point re-assemble the switch.

DWYER INSTRUMENTS, INC.

P.O. BOX 373 MICHIGAN CITY, INDIANA 46361, U.S.A.

Phone: 219/879-8000

Fax: 219/872-9057

Lit-By Fax: 888/891-4963

www.dwyer-inst.com

e-mail: info@dwyer-inst.com

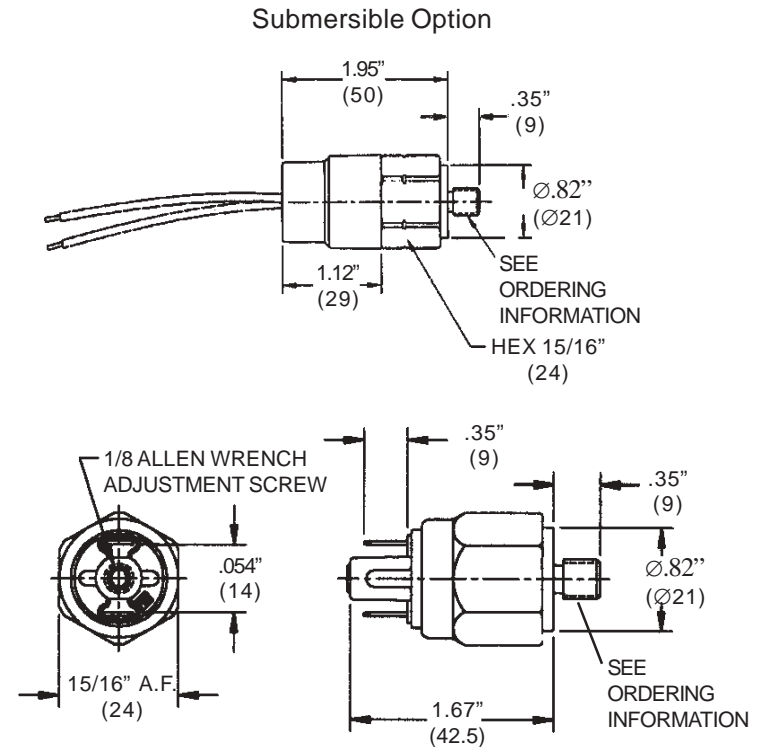
## Specifications

<b>Process Temperature</b>	-4°F to +250°F (-20°C to +120°C)
<b>Ambient Temperature</b>	-40°F to +250°F (-40°C to +120°C)
<b>Switch</b>	SPST, 100 VA, 42V max. (>2 million cycles @ 1,000 psi, max. 200 cycles/min.)
<b>Approvals</b>	CE
<b>Repeatability</b>	5% of Highest Set Point @ 70°F (20°C)
<b>Wetted Parts</b>	
<b>Diaphragm</b>	Kapton®
<b>Fitting</b>	Brass
<b>Electrical Termination</b>	6.3mm (1/4") Spade or Screw Terminals
<b>Process Fitting</b>	G or NPT 1/4"(optional 1/8")
<b>Deadband</b>	1-2 psi
<b>Proof Pressure</b>	500 psi (34.5 bar)
<b>Weight, Approximate</b>	0.14 lbs. (0.06 kg)

The pressure switch is designed and manufactured in accordance with Sound Engineering Practice as defined by the Pressure Equipment Directive 97/23/EC. This pressure switch must not be used as a "safety accessory" as defined by the Pressure Equipment, Article 1, Paragraph 2.1.3.

The CE Mark on the unit does not relate to the Pressure Equipment Directive.

## Dimensions



## Maintenance/Repair

Regular maintenance of the total system is recommended to assure sustained optimum performance. These devices are not field repairable and should be returned to the factory if recalibration or other service is required. After first obtaining a Returned Goods Authorization (RGA) number, send the unit freight prepaid to the following. Please include a clear description of the problem plus any application information available.

Dwyer Instruments, Inc.  
 Attn: Repair Department  
 102 Highway 212  
 Michigan City, IN 46360