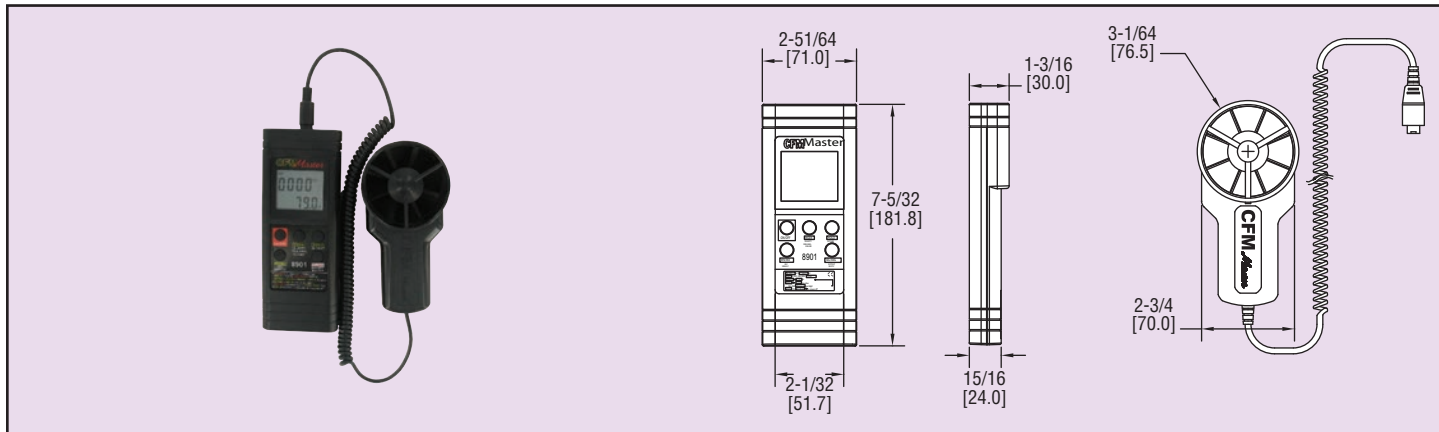




Model
8901

Vane Thermo-Anemometer

Measures Air Volume, Air Velocity, and Temperature



Model 8901 Vane Thermo-Anemometer is ideal for balancing air conditioning and heating ducts or checking the operation of fans and blowers. Model 8901 measures air volume in cubic feet per minute and cubic centimeters per second, as well as air velocity in ft/min, m/s, knots, km/hr and mph with $\pm 2\%$ accuracy. The multifunction LCD can simultaneously display air velocity and temperature or air flow and temperature in selectable units. Built-in temperature sensor provides measurements with an accuracy of ± 2 with the capability to display the results in $^{\circ}\text{F}/^{\circ}\text{C}$. Model 8901 can either store measurements or transfer the data to a PC via RS-232 communication. Additional features include data hold, as well as the ability to record minimum, maximum and average readings. These units also feature a detachable probe for easy replacement, if necessary. Model 8901 includes battery, carrying case and instruction manual.

Model 8901, Vane Thermo-Anemometer

ACCESSORIES

- A-550**, Replacement Probe with Vane
- A-552**, USB Cable and RS-232 Software

SPECIFICATIONS

AIR VELOCITY

Range: 80 to 6900 ft/min (0.4 to 35 m/s).

Accuracy: $\pm 2\%$ of reading or last significant digit (whichever is greater).

Resolution: 1 ft/min (0.01 m/s).

Response Time: 1 second.

AIR VOLUME

Range: 9999 (CFM, m^3/s).

Accuracy: $\pm 2\%$ of reading or last significant digit (whichever is greater).

Resolution: 0.1 (0 to 999.9) or 1 (1000 to 9999).

Response Time: 1 second.

TEMPERATURE

Range: 14 to 122 $^{\circ}\text{F}$ (-10 to 50 $^{\circ}\text{C}$).

Accuracy: $\pm 1^{\circ}\text{F}$ ($\pm 0.6^{\circ}\text{C}$).

Resolution: 0.1 $^{\circ}\text{F}/^{\circ}\text{C}$.

Response Time: 60 seconds.

METER

LCD Size: 1-1/4 x 1-5/8" (37 x 42 mm).

Serial Communications: 2400 bps, 8 data bits.

Power Requirements: 9 V alkaline battery, included, user replaceable.

Battery Life: 100 hours (approx.).

Vane Diameter: 2-7/8" (70 mm).

Weight: 6 oz (170 g).

Agency Approvals: CE.