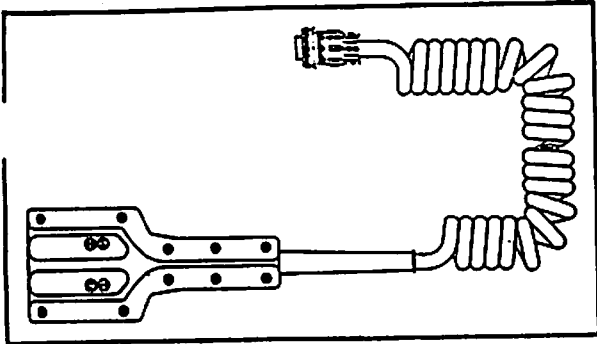
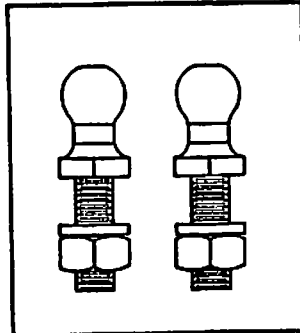


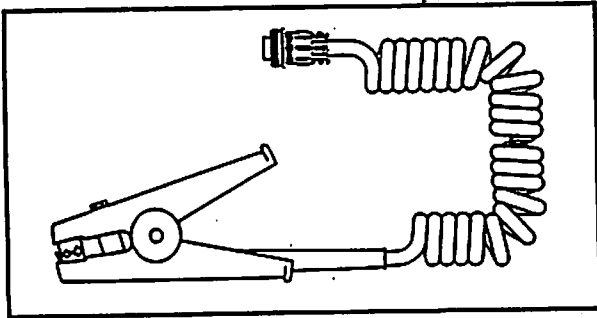
ACCESSORIES



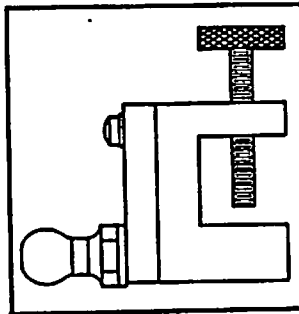
4 Standard Eq.



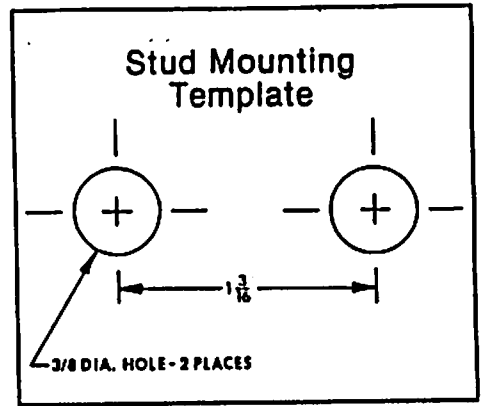
4H Standard Eq.



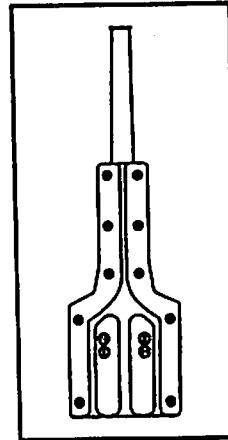
#4B



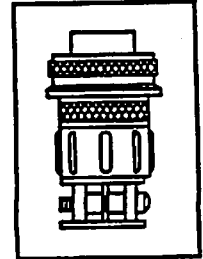
#4H-T



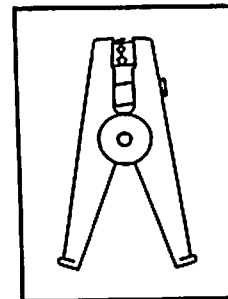
CONTACTOR PARTS



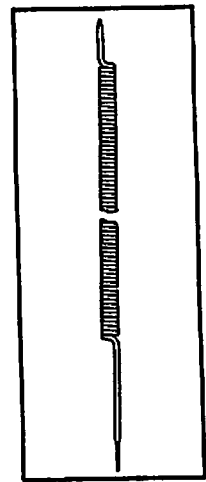
#4A



#4G



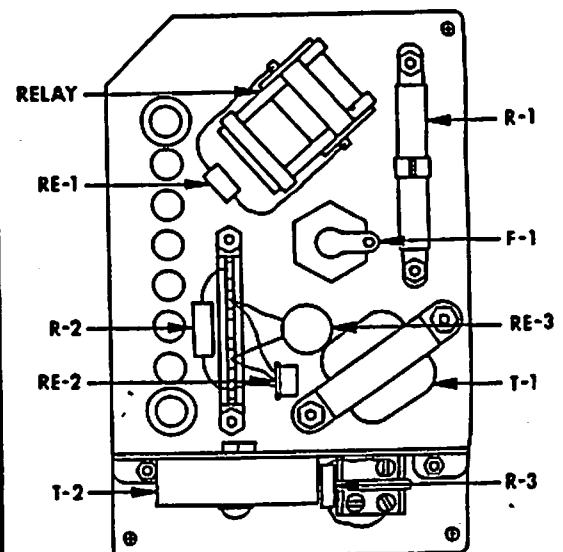
#4C



#4F/#4F-X

CODE	PART NUMBER	DESCRIPTION
#4	84-200616-00	Stud Type Contactor (complete) Includes: #4A, #4F & #4G
#4A	84-200652-00	Stud Type Contactor Handle
#4F	84-350648-00	Coiled Cord, 16 Ft. (Standard Length)
#4F-X	84-350648-01	Coiled Cord, 32 Ft.
#4G	84-350649-00	MII-Spec Cord Connector
#4B	84-200615-00	Battery Type Contactor (complete) Includes: #4C, #4F & #4G
#4C	84-200653-00	Battery Type Contactor Handle
#4H	84-200654-00	Brass Grounding Stud (2 required per truck)
#4H-T	84-200655-00	Temporary Grounding Stud Assembly
ICC-7	84-200656-00	TR-7 Internal Chassis Circuit (Complete Assembly)
F-1	84-350647-00	Fuse, 0.5 Amp
R-1	84-350718-00	Variable Resistor, 5K Ohm max.
R-2	84-350719-00	Resistor, 15K Ohm
R-3	84-350720-00	Resistor, 10 Ohm
RE-1	84-350721-00	Rectifier
RE-2	84-350722-00	Silicone Controlled Rectifier
RE-3	84-350723-00	Diode
RELAY	84-350650-00	DPDT Relay
T-1	84-350644-00	Power Transformer
T-2	84-350724-00	Toroidal Transformer

INTERNAL CIRCUIT PARTS



WARNING: SUBSTITUTION OF COMPONENTS MAY IMPAIR INTRINSIC SAFETY