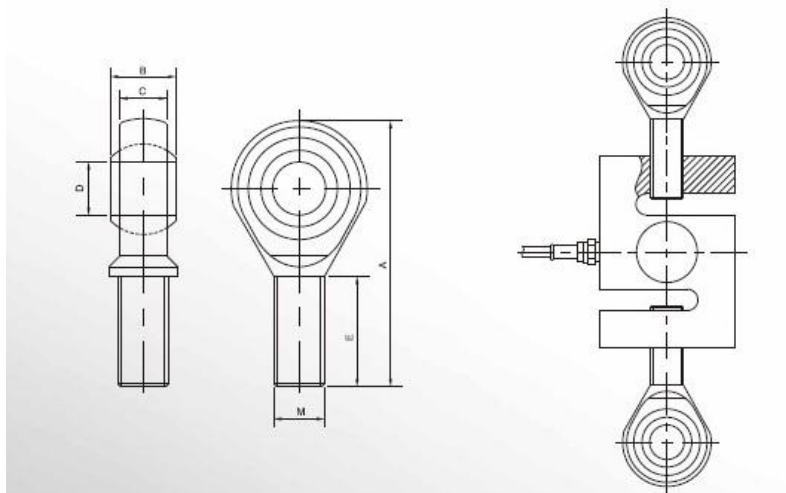


# ROD ENDS FOR MT501 LOAD CELLS



## Rod End Bearings (Tension Accessory) for use with MT501 load cells

Rod End bearings are widely used with MT501 load cells in various applications such as crane scales, hanging scales, packaging scales, material testing, hybrid (electro mechanical scales) and hopper scales.



### Main Dimensions

| Part Number | MT501 Load Cell Capacity | Thread (M)      | A    | B    | C    | D  | Thread Length (E) |
|-------------|--------------------------|-----------------|------|------|------|----|-------------------|
| MSA8T       | 50-100 kg                | M8*1.25         | 54   | 12   | 9    | 8  | 25                |
| MSA12T      | 250-1000 kg              | M12*1.75        | 70   | 16   | 12   | 12 | 32                |
| MSA20T      | 2000-5000 kg             | M20*1.5         | 103  | 25   | 18   | 20 | 41                |
| MSA25T      | 7500 kg                  | M24*2.0         | 124  | 31   | 22   | 25 | 55                |
| MPOSB16     | 20000 lb<br>(9000 kg)    | 1 ¼" *<br>12UNF | 5 ½" | 1 ¾" | 1 ¼" | 1" | 2 ⅛"              |

Specifications are subject to change without notice for improvement

MSARE\_REV01-28122011

