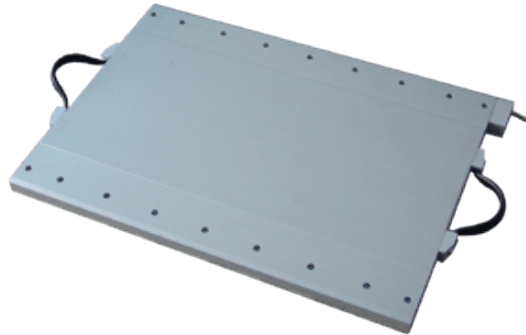


MWP2 Weighing Pad



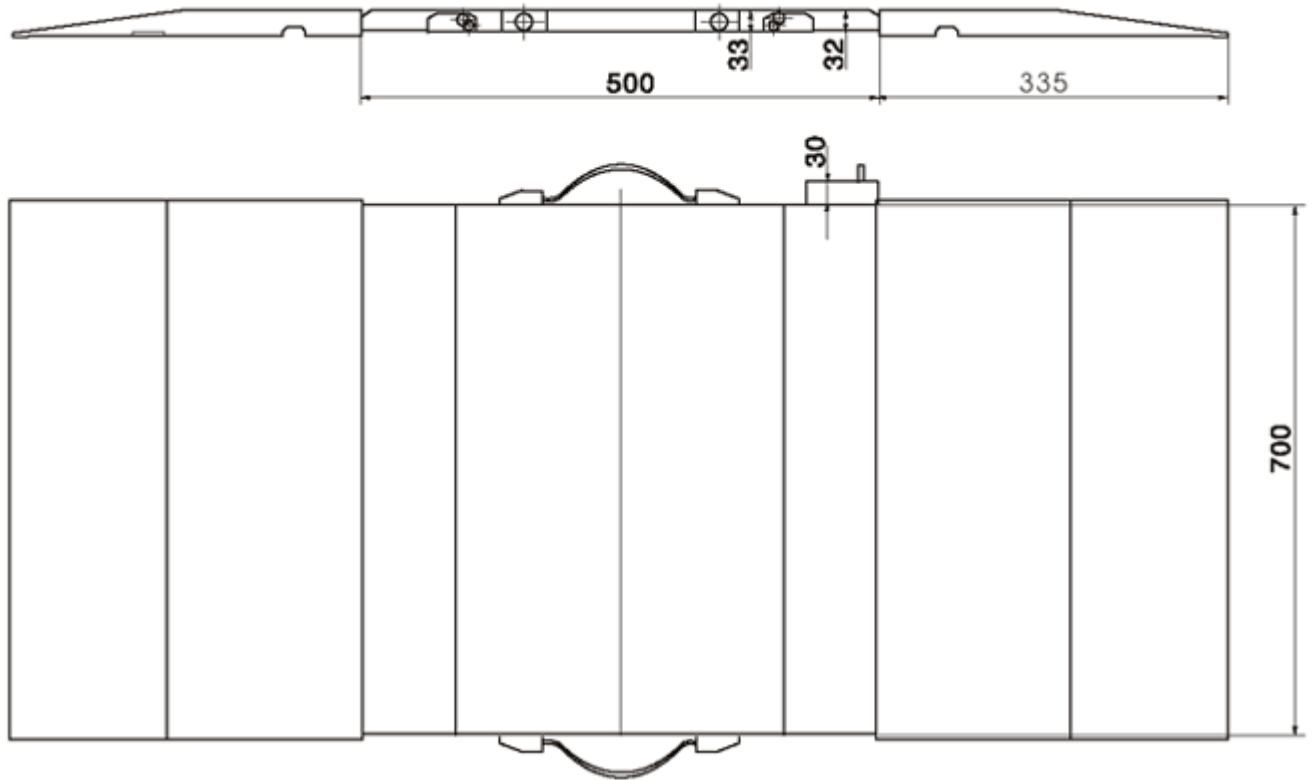
| Features | Applications |
|----------------------------|--|
| Flat Plate Construction | Axle Weighing |
| Excellent Dynamic Response | Wheel Weighing |
| Light in Weight | Aviation Industry Weighing applications |
| IP66 Protection | Centre of Gravity of Aeroplanes , vehicles etc |
| Heavy duty approach pads | |

Specifications

| | | |
|-----------------------------------|-----------|----------------|
| Capacity | t | 10t |
| Maximum Single point Load | t | 15t |
| Combined Error | (%FS) | ≤±0.5 |
| Creep (30 minutes) | %FS/30min | ≤±0.1 |
| Temperature effect on sensitivity | (%FS/10C) | ≤±0.1 |
| Temperature effect on zero | (%FS/10C) | ≤±0.1 |
| Output sensitivity | (mv/v) | 0.9±0.2 |
| Input resistance | (Ω) | 3120+/- 60 |
| Output resistance | (Ω) | 2800+/-28 |
| Insulation resistance | (MΩ) | ≥ 5000 (50VDC) |
| Zero balance | (%FS) | 10 |
| Temperature, Compensated | (°C) | -10 ~ +50 |
| Temperature, Operating | (°C) | -30 ~ +70 |
| Excitation, Recommended | (V) | 5 ~ 15(DC) |
| Excitation, Max | (V) | 18(DC) |
| Safe overload | (%FS) | 120 |
| Ultimate overload | (%FS) | 180 |



MWP2 Weigh Pad



Dimensions (mm)

Cable

4 Core, Shielded cable (for connecting to indicator)

Weigh Pads when connected to MWP-2 Indicator can give wheel weight or axle weight (one or two weighing pads) as a digital display.

Both axle weight and wheel weight can be displayed under static weighing. The indicator can store the weight data of upto 999 weight records . The indicator uses advanced high speed A/D convertors thus providing accurate and reliable weight data under static and dynamic weighing.



MWP-2 Indicator

MWP-2 Portable weighing indicator is assembled with weighing pads. When the truck wheels of the same axle loaded on the weighing pads, the sensors inside the weighing pads generates signals which are send to the indicator . On receiving digital signals from the convertor, the CPU in Data Processing Programme converts weighing data onto LED screen as weight display.

1. Connection with 1/2 weighing pads are available.
2. Suitable for connecting with computer via Rs232 communication interface.
3. Combined with on-vehicle portable programme, testing data is available for display, print, memorize and inquiry via PC.
4. Displayed on LCD wide screen for easy operation.
5. Both axle weight and wheel weight can be displayed under static weighing.
- 6 Able to memorize 999 testing data.
7. With high speed printer inside, convenient to print out testing data, including date, vehicle No., wheel weight, axis, total weight, and overload value.

| | | | |
|-----------------------|-----------|-------------------|----------------|
| Division | 10 / 50kg | Vehicle Speed | Upto 10 kmph |
| Rated Axis Load | 30000kg | Dynamic Accuracy | 3% |
| Operating Temperature | -5 to 50C | Relative Humidity | 90% RH Max |
| Printer | Thermal | Printing Speed | Upto 60 mm/sec |
| Static Accuracy | 0.5% | Power Supply | 12V DC |

Specifications are subject to change without notice for improvement

MWP2-REV01-07012012



Millennium Mechatronics Limited
 Email: info@meltrons.com | www.meltrons.com

