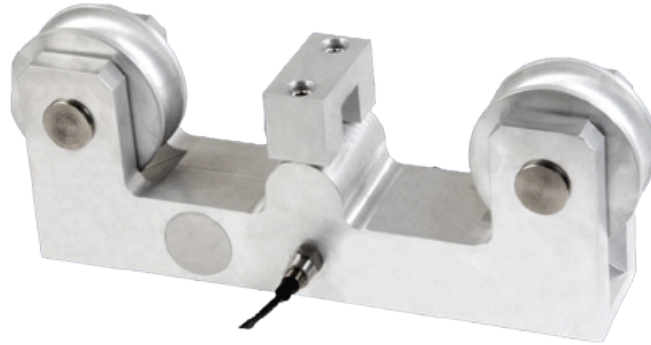


# MT713 Load Cell



## Features

Compact Construction  
Aluminium Body (Optional steel body)  
3 sizes for 6mm to 22mm diameter wires

## Applications

Cranes  
Winches  
Simple to Install

## Specifications

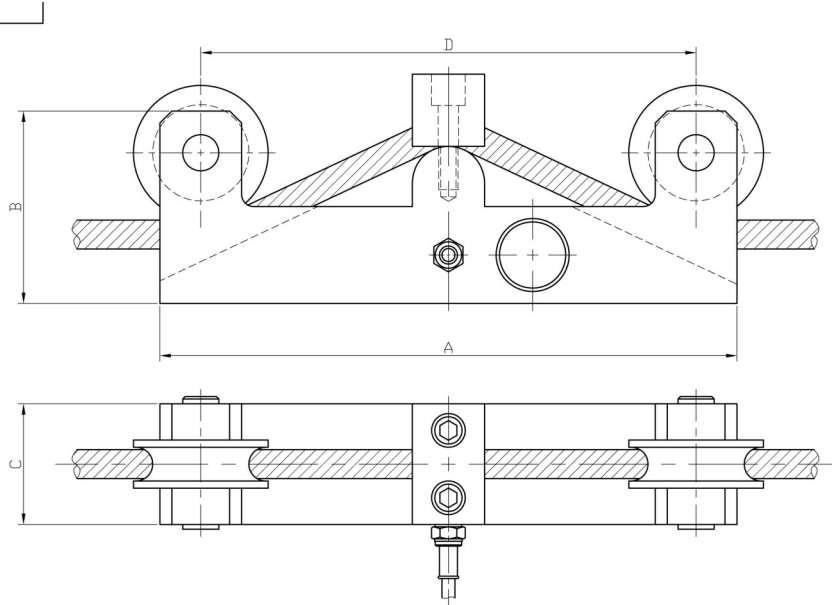
Capacity	tonnes	1t	4t	5t
Wire diameter	mm	6-10mm	11-16mm	17-22mm
Combined Error (typical)	(%FS)	<1%		
Creep (30 minutes)	%FS/30min	<0.1		
Temperature effect on sensitivity	(%FS/10C)	0.05		
Temperature effect on zero	(%FS/10C)	0.05		
Output sensitivity (Nominal)	(mv/v)	2mV/V		
Input resistance	( $\Omega$ )	385+/-25		
Output resistance	( $\Omega$ )	350+/-5		
Insulation resistance (Min)	(M $\Omega$ )	5000		
Zero balance	(%FS)	2%		
Temperature, Compensated	( $^{\circ}$ C)	0 to 50C		
Temperature, Operating	( $^{\circ}$ C)	-20 to 60 C		
Excitation, Recommended	(V)	10V		
Excitation, Max	(V)	15V		
Safe overload	(%FS)	150		
Ultimate overload	(%FS)	300		



Millennium Mechatronics Limited  
Email: [info@meltrons.com](mailto:info@meltrons.com) | [www.meltrons.com](http://www.meltrons.com)



# MT713 Load Cell



Capacity (t)	Wire dia	A	B	C	D
1	6-10mm	274	75	40	240
4	11-16mm	276	75	40	242
5	17-22mm	330	110	56	280

## Dimensions (mm)

### Cable

4 Core, 5.5 mm dia , Cable Length: 6m

### Color Code

Exc+ Red, Exc- Black

Sig+ Green, Sig- White

Screen- Transparent

Specifications are subject to change without notice for improvement

MT713 REV01-06012012



Millennium Mechatronics Limited  
 Email: [info@meltrons.com](mailto:info@meltrons.com) | [www.meltrons.com](http://www.meltrons.com)

