

MT705 Load Cell



| Features | Applications |
|---------------------------|---------------------------------|
| Hermitically Sealed, IP68 | Hopper , Tank and Silo Weighing |
| Laser welded | Process Weighing |
| Stainless Steel Casing | Truck scales |
| Excellent self centering | High Capacity Scales |

Specifications

| | | |
|-----------------------------------|-----------|------------------------|
| Capacity | t | 5, 10, 20 ,30t and 50t |
| Combined Error | (%FS) | ≤±0.030 |
| Creep (30 minutes) | %FS/30min | ≤±0.025 |
| Temperature effect on sensitivity | (%FS/10C) | ≤±0.015 |
| Temperature effect on zero | (%FS/10C) | ≤±0.020 |
| Output sensitivity | (mv/v) | 1.5±0.01 |
| Input resistance | (Ω) | 670+/-15 |
| Output resistance | (Ω) | 600 +/-6 |
| Insulation resistance | (MΩ) | ≥ 5000 (50VDC) |
| Zero balance | (%FS) | 1.0 |
| Temperature, Compensated | (°C) | -10~+50 |
| Temperature, Operating | (°C) | -25~+65 |
| Excitation, Recommended | (V) | 5~12(DC) |
| Excitation, Max | (V) | 18(DC) |
| Safe overload | (%FS) | 150 |
| Ultimate overload | (%FS) | 225 |

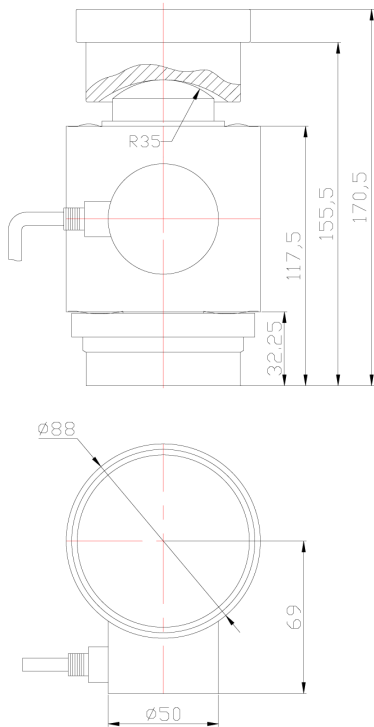


Millennium Mechatronics Limited
 Email: info@meltrons.com | www.meltrons.com

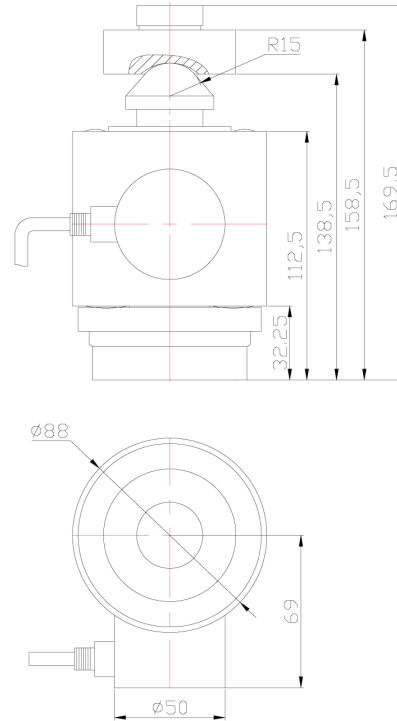


MT705 Load Cell

50t



5~30t



Dimensions (mm)

Cable

6 Core, 6.2mm dia , Cable Length: 12m

Color Code

Exc+ Red, Exc- Black

Sig+ Green, Sig- White

Sense+ Blue, Sense- Yellow

Screen- Transparent

Specifications are subject to change without notice for improvement

MT705EV01-05012012



Millennium Mechatronics Limited
Email: info@meltrons.com | www.meltrons.com

