

# MT405 Load Cell



<u>Features</u>	<u>Applications</u>
Low profile	Low profile platform scales
Tool Steel construction	Floor Scales
Shear Beam	Process Weighing
Electroless Nickel Plated	Industrial weighing
Simple to Install	

## Specifications

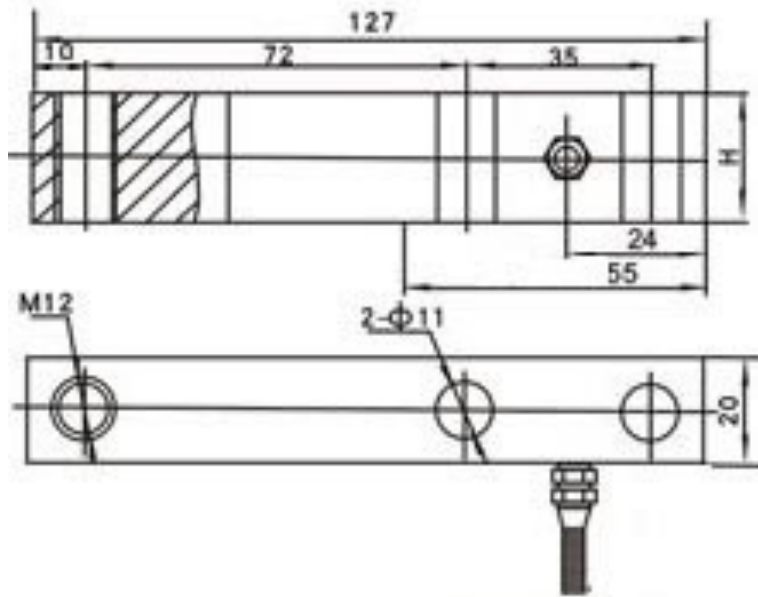
Capacity	Kg	100kg, 250kg, 500kg and 1000kg
Combined Error	(%FS)	≤±0.025
Creep (30 minutes)	%FS/30min	≤±0.024
Temperature effect on sensitivity	(%FS/10C)	≤±0.010
Temperature effect on zero	(%FS/10C)	≤±0.016
Output sensitivity	(mv/v)	2.00±0.01
Input resistance	(Ω)	390+/-20
Output resistance	(Ω)	350 +/-3
Insulation resistance	(MΩ)	≥ 5000 (50VDC)
Zero balance	(%FS)	1.0
Temperature, Compensated	(°C)	-10 ~ +50
Temperature, Operating	(°C)	-25 ~ +65
Excitation, Recommended	(V)	5 ~ 12(DC)
Excitation, Max	(V)	18(DC)
Safe overload	(%FS)	150
Ultimate overload	(%FS)	225



Millennium Mechatronics Limited  
 Email: [info@meltrons.com](mailto:info@meltrons.com) | [www.meltrons.com](http://www.meltrons.com)



# MT405 Load Cell



## Height (H)

100kg - 20mm

250kg - 18mm

500 and 1000kg - 24mm

## Dimensions (mm)

### Cable

6 Core, 5.6 mm dia

Cable Length: 3m

### Color Code

Exc+ Red, Exc- Black

Sig+ Green, Sig- White

Sense+ Blue, Sense - Yellow

Screen- Transparent

Specifications are subject to change without notice for improvement

MT405EV01-06012012



Millennium Mechatronics Limited  
Email: [info@meltrons.com](mailto:info@meltrons.com) | [www.meltrons.com](http://www.meltrons.com)

