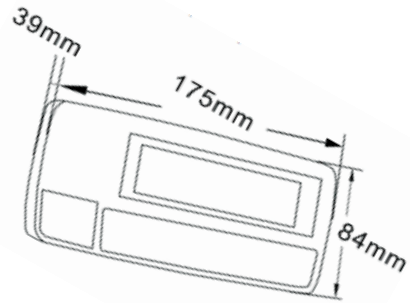


MI104 Weighing Indicator



Features

Compact Size	Gravity Correction
Net/ Gross Shift	RS232 Standard
Unit Conversion	Animal weighing mode
Check Weighing	Supports 4* 350 ohm load cells
Peak Hold	Memory Accumulation

Specifications

Model	MI104
Resolution	1/30,000
Indicator housing	ABS Plastic
Stabilisation Time	1 Seconds typical
Operating Temperature	0°C ~ +40°C / 32°F - 104°F
Power supply (external)	AC Adaptor (12V/500mA) /
Power Supply (Internal)	Ni-MH battery (1.2V/2000mAh x 6)
Calibration	External
Display	6 digits 22mm LCD display, attached backlight
Interface	Standard RS-232 Output
Zero range	0mV~5mV
Signal input range	0~15mV
ADC	Sigma delta
ADC update	Max 60 times /second
Load cell Excitation voltage	Max 5V/150mA

Part Number: MI104R



Millennium Mechatronics Limited
Email: info@meltrons.com | www.meltrons.com

