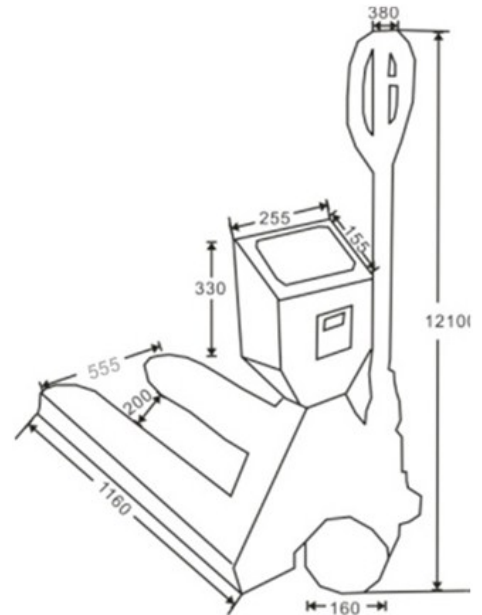


# MHP Hand Pallet Scale



- Capacity 2000kg
- Rugged Construction
- Rechargeable Battery
- 50 hours Battery Back up
- 4 x Tool Steel load cell
- Easy Access Junction Box
- Reliable performance.
- Tare, Net/Gross Shift functions
- Low profile.
- 52mm LCD Display
- Optional Printer
- Easy Calibration

Display	52mm LCD Display
Capacity	2000kg*1kg
Keys	7 Keys
Housing	Steel
ADC	Sigma Delta
Operating Temperature	-10 to 40C
Power	6V/4Ah Battery , AC Adapter (230V)
Gross Weight	160kg



Millennium Mechatronics Limited  
 Email: [info@meltrons.com](mailto:info@meltrons.com) | [www.meltrons.com](http://www.meltrons.com)

