

UHP Flow-Through-Gauge Diaphragm Pressure Gauge, Nominal Size 1 1/8" Model 432.25

WIKA Data Sheet PM 04.10

Applications

- Suitable for gaseous, liquid and corrosive media, also in a corrosive environment, for demanding high purity applications.
- Semiconductor and flat panel industry
- Gas distribution systems
- Medical gases
- Hook-up-application



Special Features

- No dead volume in the pressure gauge
- Low internal volume for reducing particle generation and entrapment
- Compact design
- Helium leak tested, leak rate $\leq 10^{-9}$ mbar · l/s
- Electropolished internals and case, internal surface finish $R_a \leq 0,25 \mu\text{m}$

UHP Flow-Through-Gauge, Model 432.25.1 1/8"

Description

Nominal size

1 1/8"

Accuracy class

Grade C according to ASME B40.1

Scale ranges

- 30 inHg ... 60 psi
- 30 inHg ... 130 psi

Operating temperature

Ambient: -10 ... +60 °C
Medium: +60 °C maximum

Pressure connection

Modular Surface Mount (MSM), C-seal

Pressure element

Inconel

Dial

White aluminium, with black lettering

Pointer

Black aluminium

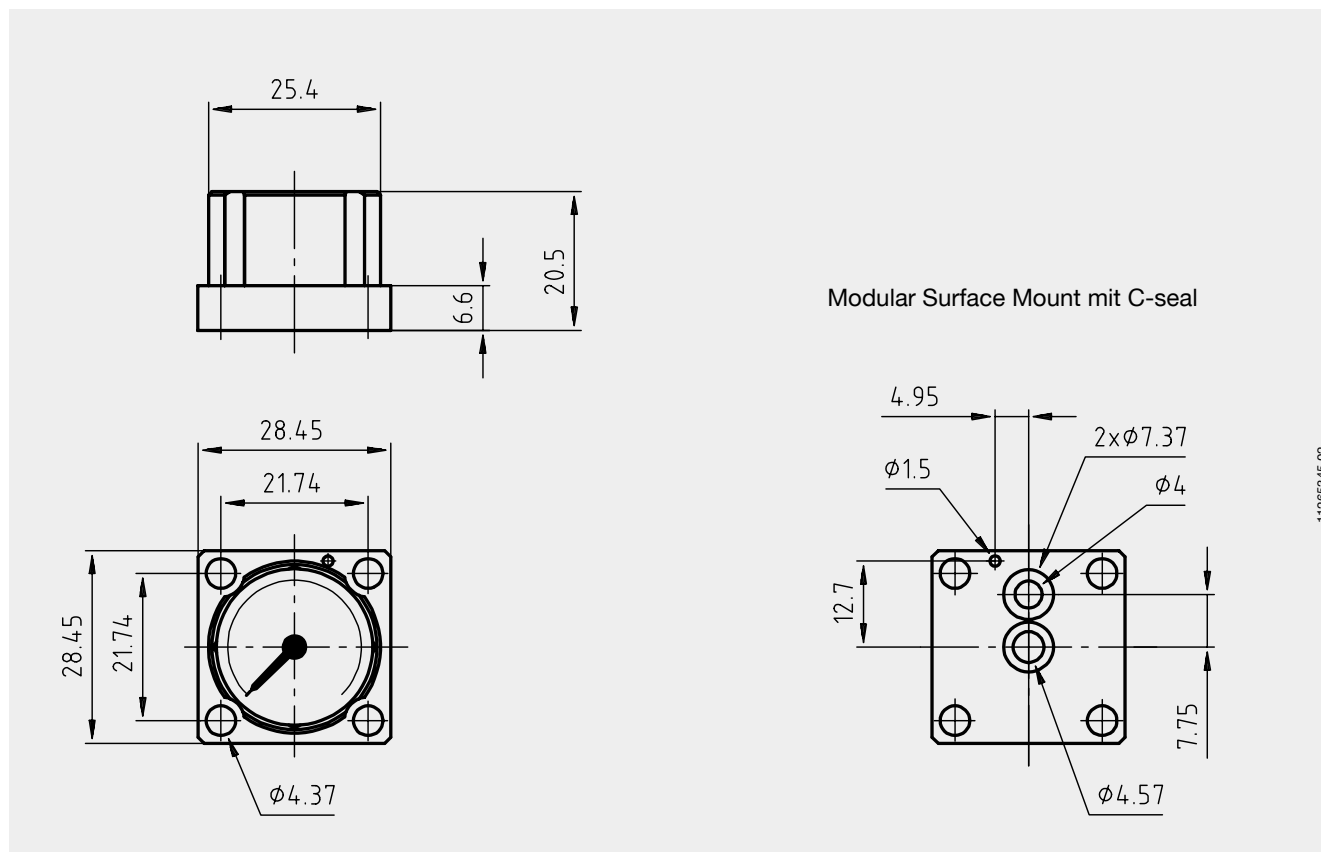
Case

Material: stainless steel 316L, electropolished

Window

One piece polycarbonate

Dimensions in mm



Ordering information

Pressure gauge model / Nominal size / Scale range

Modifications may take place and materials specified may be replaced by others without prior notice.
Specifications and dimensions given in this leaflet represent the state of engineering at the time of printing.



WIKAL Alexander Wiegand GmbH & Co. KG
Alexander-Wiegand-Straße 30
63911 Klingenberg/Germany
Phone (+49) 93 72/132-0
Fax (+49) 93 72/132-406
E-Mail info@wika.de
www.wika.de