

Bourdon tube pressure gauge Safety version Model 111.31, welding gauge to ISO 5171

WIKA data sheet PM 01.11

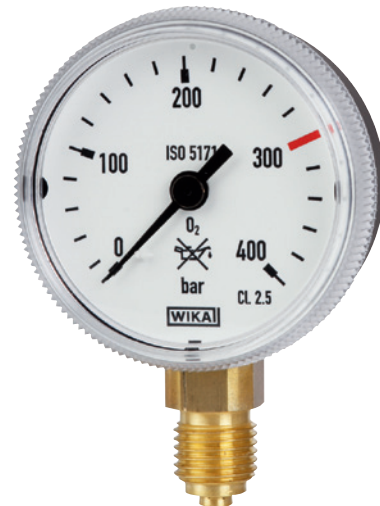


Applications

- For equipment and plants for welding, cutting and allied processes
- Application for oxygen and acetylene
- Increased safety requirements

Special features

- Safety pressure gauge with solid baffle wall
- Reliable and cost-effective
- Nominal size 50
- Scale ranges up to 0 ... 400 bar



Bourdon tube pressure gauge model 111.31

Description

Design

ISO 5171

Nominal size in mm

50

Accuracy class

2.5

Scale ranges

0 ... 2.5 to 0 ... 400 bar
or all other equivalent vacuum or combined pressure and vacuum ranges

Pressure limitation

Steady: 3/4 x full scale value

Fluctuating: 2/3 x full scale value

Short time: Full scale value

Permissible temperature

Ambient: -20 ... +60 °C

Medium: +60 °C maximum

Temperature effect

When the temperature of the measuring system deviates from the reference temperature (+20 °C):
max. $\pm 0.4\%$ /10 K of the span

Standard version

Process connection

Copper alloy,
lower mount (LM)
1/4 NPT (male), 14 mm flats

Pressure element

Copper alloy
C-type or helical type

Movement

Copper alloy

Dial

Plastic, white,
with pointer stop pin, black lettering

Pointer

Plastic, black

Case

Zinc diecast with solid baffle wall (Solidfront) and blow-out device in the back

Window

Polycarbonate

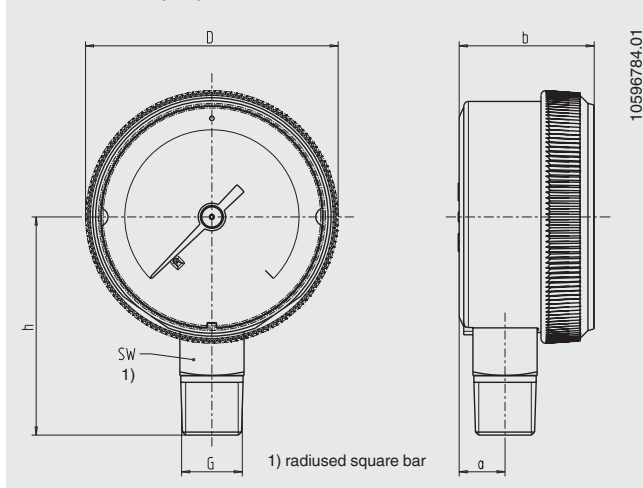
Options

- Other process connection
- Sealings (model 910.17, see data sheet AC 09.08)
- Case lacquered to customer requirements

Dimensions in mm

Standard version

Lower mount (LM)



NS	Dimensions in mm					Weight in kg
	a	b	D	G	h ±1	
50	10	29.5	55.1	1/4 NPT	47.5	0.13

CE conformity

Pressure equipment directive

97/23/EC, PS > 200 bar, module A, pressure accessory

Approvals

- GOST-R, import certificate, Russia

Certificates ¹⁾

- 2.2 test report per EN 10204 (e.g. state-of-the-art manufacturing, material proof, indication accuracy)
- 3.1 inspection certificate per EN 10204 (e.g. indication accuracy)

1) Option

Approvals and certificates, see website

Ordering information

Model / Nominal size / Scale range / Connection size / Options

© 2010 WIKA Alexander Wiegand SE & Co. KG, all rights reserved.
The specifications given in this document represent the state of engineering at the time of publishing.
We reserve the right to make modifications to the specifications and materials.



WIKAL Alexander Wiegand SE & Co. KG
Alexander-Wiegand-Straße 30
63911 Klingenberg/Germany
Tel. +49 9372 132-0
Fax +49 9372 132-406
info@wika.de
www.wika.de